



ORDER NO.:

ITEM NO.:

REQUIRED DEALER INFO.

**A**(DAYLIGHT WIDTH)

**B**(NET FRAME HEIGHT)

CALCULATED VALUES (FLEETWOOD SUPPLIED)

**C**(POCKET WIDTH)

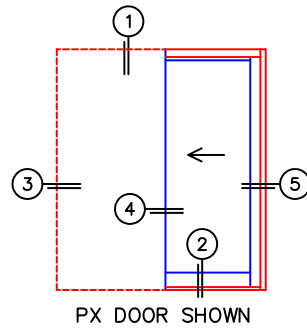
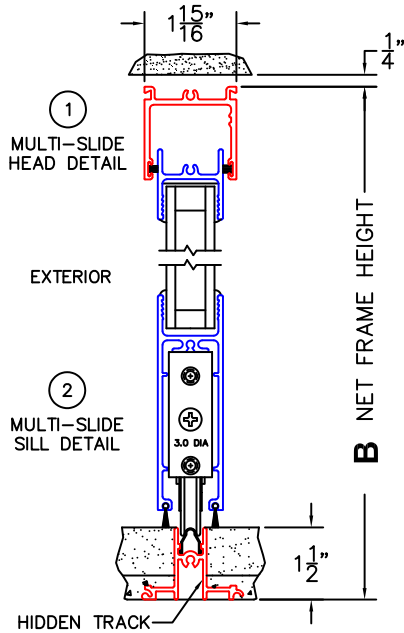
**D**(NET FRAME WIDTH)

NOTES:



(USE RULER TO SCALE DIMENSIONS IN INCHES)

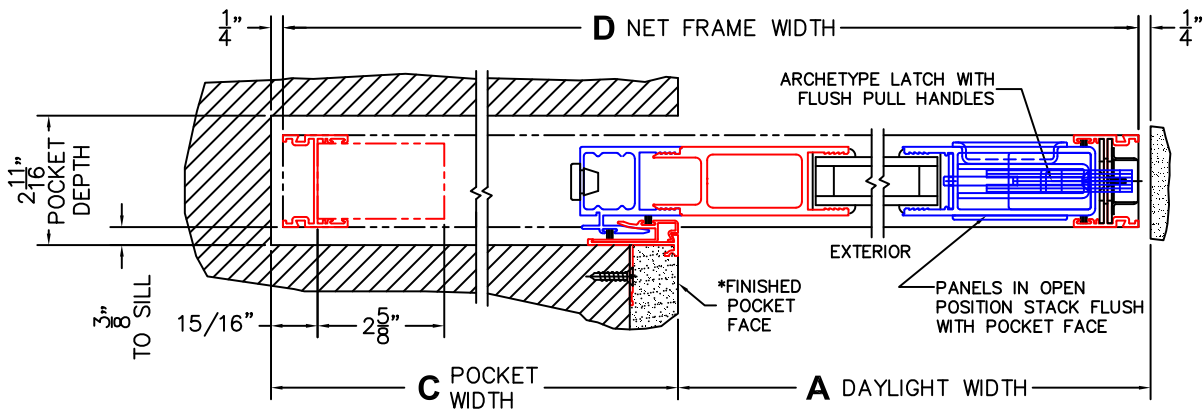
SCALE: 1/4



3  
POCKET JAMB

4  
POCKET INTERLOCKER

5  
LOCK JAMB



\*CAUTION: WHEN CONSTRUCTING POCKET  
NOTE THAT DAYLIGHT WIDTH DOES NOT  
INCLUDE 1" SET BACK FOR POST INTERLOCKER.