



**FLEETWOOD**  
WINDOWS & DOORS  
FleetwoodUSA.com

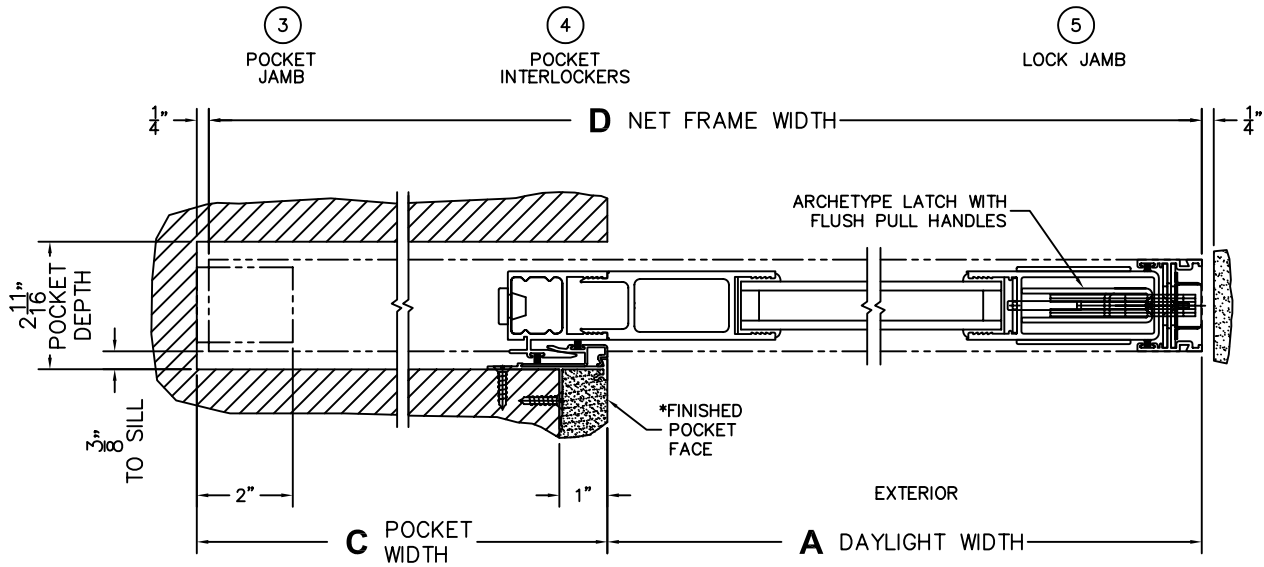
**NORWOOD 3050**

PX CUSTOM CONFIGURATION  
HIDDEN TRACK NO SCREENS

ORDER NO.:

ITEM NO.:

SCALE: 1/4

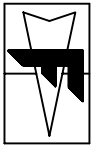


\*CAUTION: WHEN CONSTRUCTING POCKET NOTE THAT DAYLIGHT WIDTH DOES NOT INCLUDE 1" SET BACK FOR POST INTERLOCKER.

DWG NO.: 3050-H-PX-NS0-IS-MS-STI-HF-DN-AN-PE3-PJN-PI2

CUSTOMER  
SIGNATURE

DATE:



**FLEETWOOD**  
WINDOWS & DOORS  
FleetwoodUSA.com

**NORWOOD 3050**  
PX CUSTOM CONFIGURATION  
HIDDEN TRACK NO SCREENS

ORDER NO.:

ITEM NO.:

SCALE: 1/4

POCKET VIEW: PANELS IN OPEN POSITION

