

FLEETWOOD
WINDOWS & DOORS
FleetwoodUSA.com

NORWOOD 3050 M/S
OXXIXXP CUSTOM CONFIGURATION
NO SCREENS HIDDEN TRACK

ORDER NO.:

ITEM NO.:

SCALE: 1/4

REQUIRED DEALER INFO.

A(DAYLIGHT WIDTH)

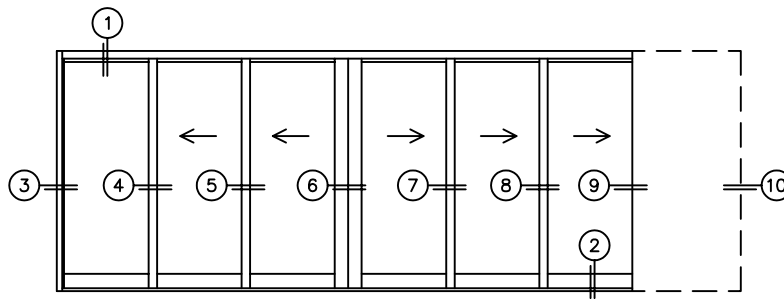
B(NET FRAME HEIGHT)

CALCULATED VALUES (FLEETWOOD SUPPLIED)

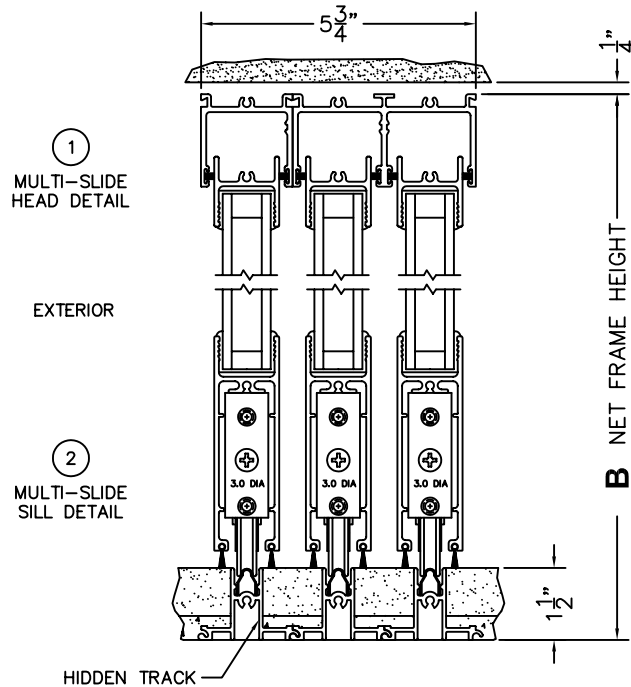
C(POCKET WIDTH)

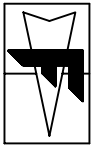
D(NET FRAME WIDTH)

NOTES:



OXXIXXP DOOR SHOWN





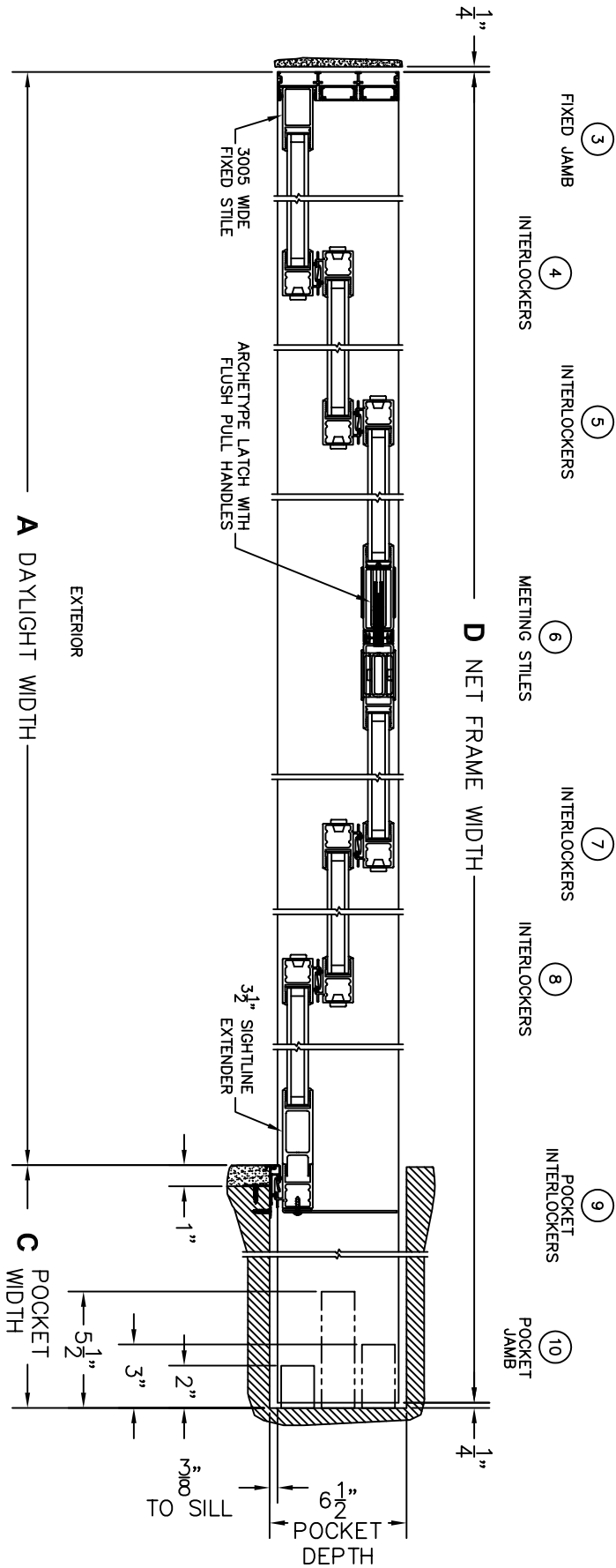
FLEETWOOD
WINDOWS & DOORS
FleetwoodUSA.com

NORWOOD 3050 M/S
OXXIXXP CUSTOM CONFIGURATION
NO SCREENS HIDDEN TRACK

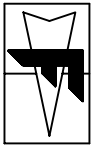
ORDER NO.:

ITEM NO.:

SCALE: 1/8



*CAUTION: WHEN CONSTRUCTING POCKET NOTE THAT DAYLIGHT WIDTH DOES NOT INCLUDE 1" SET BACK FOR POST INTERLOCKER.



FLEETWOOD
 WINDOWS & DOORS
 FleetwoodUSA.com

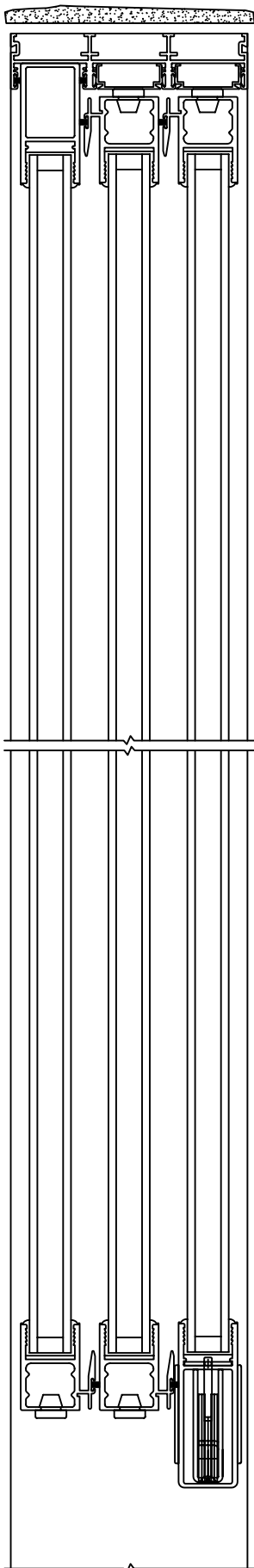
NORWOOD 3050 M/S
 OXXIXXP CUSTOM CONFIGURATION
 NO SCREENS HIDDEN TRACK

ORDER NO.:

ITEM NO.:

SCALE: 1/4

NON-FLUSH STACK: PANELS IN OPEN POSITION
 (LEFT SIDE)



POCKET VIEW (RIGHT SIDE)

