

**FLEETWOOD**  
WINDOWS & DOORS  
FleetwoodUSA.com

# NORWOOD 3050

OXXIXXO STANDARD CONFIGURATION  
HIDDEN TRACK NO SCREENS

ORDER NO.:

ITEM NO.:

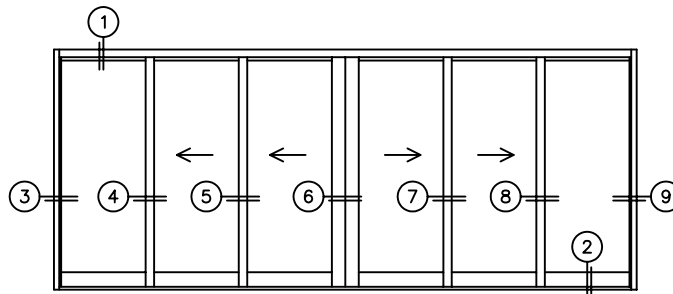
SCALE: 1/4

REQUIRED DEALER INFO.

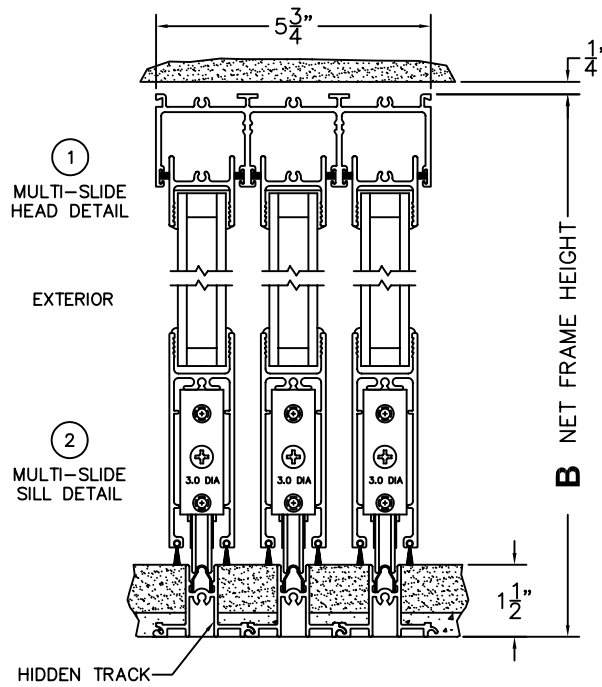
**A** (NET FRAME WIDTH)

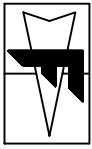
**B** (NET FRAME HEIGHT)

NOTES:



OXXIXXO DOOR SHOWN





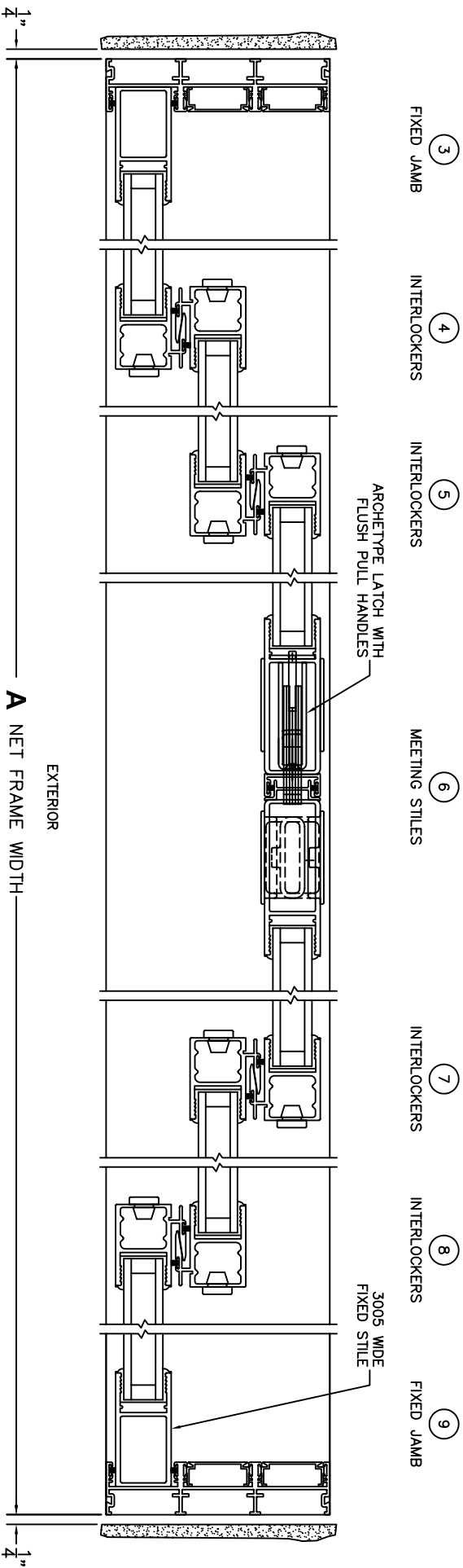
**FLEETWOOD**  
 WINDOWS & DOORS  
 FleetwoodUSA.com

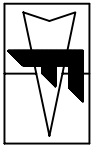
**NORWOOD 3050**  
 OXXIXO STANDARD CONFIGURATION  
 HIDDEN TRACK NO SCREENS

ORDER NO.:

ITEM NO.:

SCALE: 1/4





**FLEETWOOD**  
 WINDOWS & DOORS  
 FleetwoodUSA.com

**NORWOOD 3050**  
 OXXIXO STANDARD CONFIGURATION  
 HIDDEN TRACK NO SCREENS

ORDER NO.:

ITEM NO.:

SCALE: 1/4

NON-FLUSH STACK (EQUAL GLASS): PANELS IN OPEN POSITION

