

FLEETWOOD
WINDOWS & DOORS
FleetwoodUSA.com

NORWOOD 3050
OXIXO CUSTOM CONFIGURATION
HIDDEN TRACK NO SCREENS

ORDER NO.:

ITEM NO.:

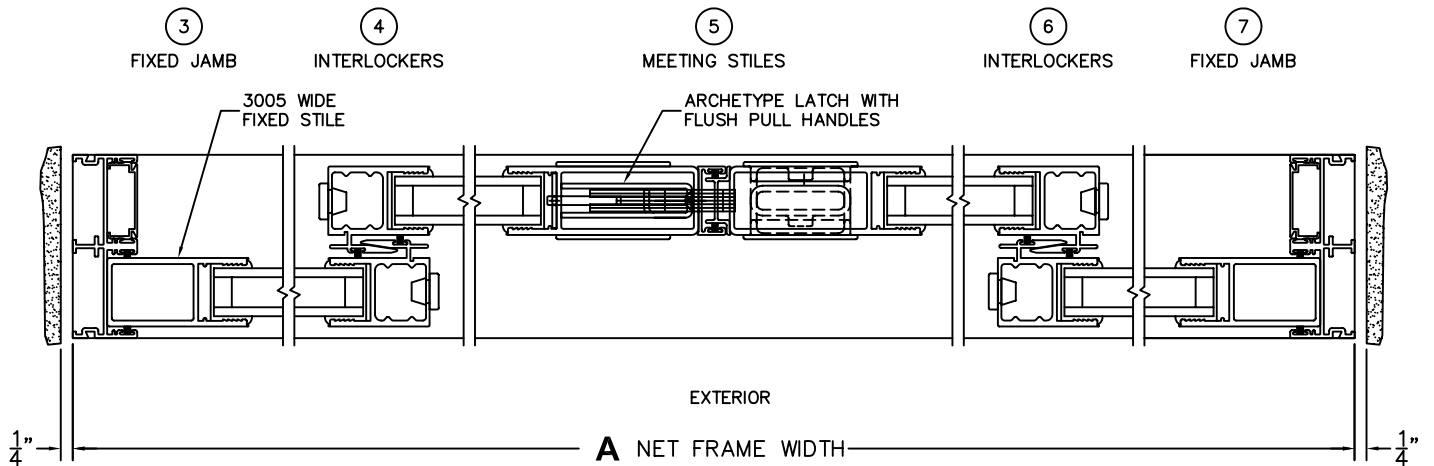
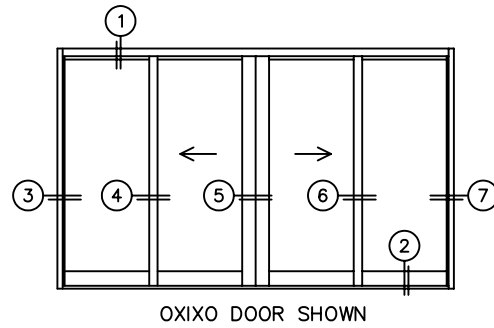
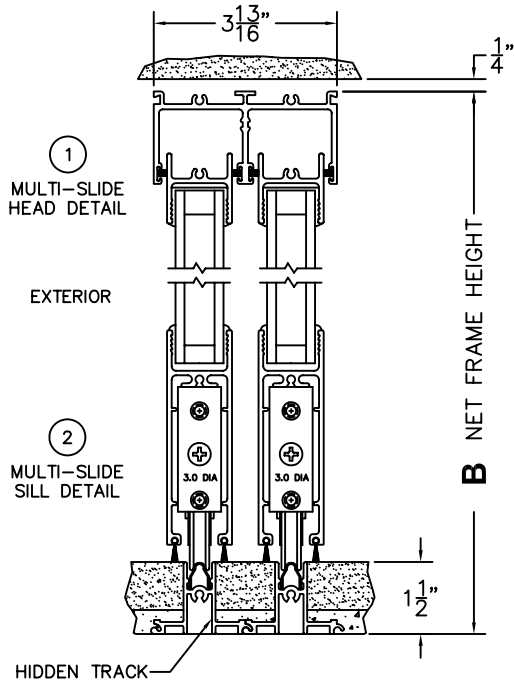
REQUIRED DEALER INFO.

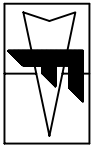
A (NET FRAME WIDTH)

B (NET FRAME HEIGHT)

SCALE: 1/4

NOTES:





FLEETWOOD
 WINDOWS & DOORS
 FleetwoodUSA.com

NORWOOD 3050
 OXIXO CUSTOM CONFIGURATION
 HIDDEN TRACK NO SCREENS

ORDER NO.:

ITEM NO.:

SCALE: 1/4

FLUSH STACK: PANELS IN OPEN POSITION

