



**FLEETWOOD**  
WINDOWS & DOORS  
FleetwoodUSA.com

**NORWOOD 3050**  
90°XXXIXXX STANDARD CONFIGURATION  
NO SCREENS

ORDER NO.:

ITEM NO.:

REQUIRED DEALER INFO.

**A**(NET FRAME WIDTH)

**B**(NET FRAME WIDTH)

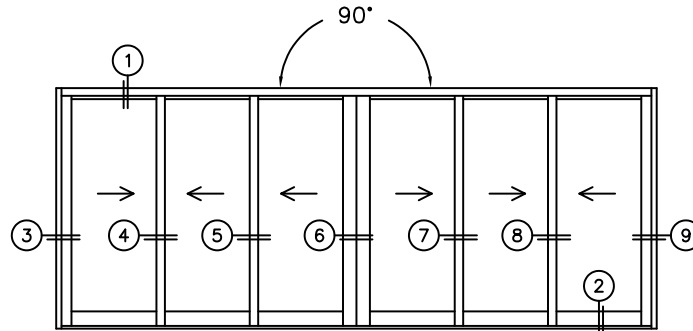
**C**(NET FRAME HEIGHT)

NOTES:

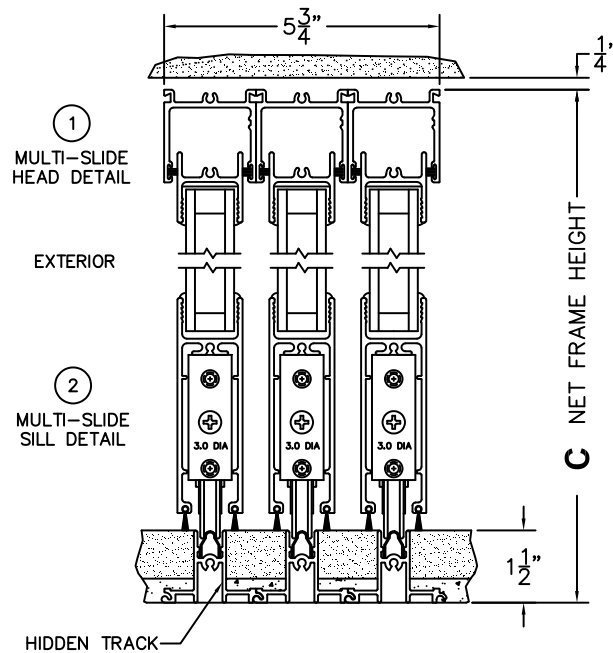


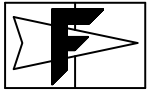
(USE RULER TO SCALE DIMENSIONS IN INCHES)

SCALE: 1/4



XXXIXXX DOOR SHOWN





**FLEETWOOD**  
WINDOWS & DOORS  
FleetwoodUSA.com

**NORWOOD 3050**  
90°XXXIXXX STANDARD CONFIGURATION  
NO SCREENS

ORDER NO.:

ITEM NO.:

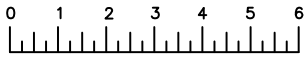
REQUIRED DEALER INFO.

**A**(NET FRAME WIDTH)

**B**(NET FRAME WIDTH)

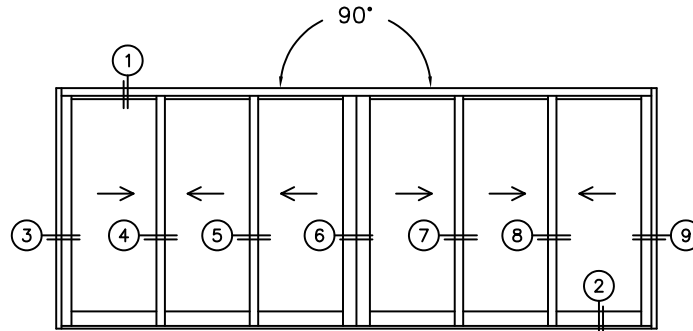
**C**(NET FRAME HEIGHT)

NOTES:



(USE RULER TO SCALE DIMENSIONS IN INCHES)

SCALE: 1/4



XXXIXXX DOOR SHOWN

