

**FLEETWOOD**  
WINDOWS & DOORS  
FleetwoodUSA.com

**NORWOOD 3050**  
90°XXIXX STANDARD CONFIGURATION  
NO SCREENS

ORDER NO.:

ITEM NO.:

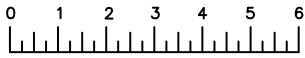
REQUIRED DEALER INFO.

**A**(NET FRAME WIDTH)

**B**(NET FRAME WIDTH)

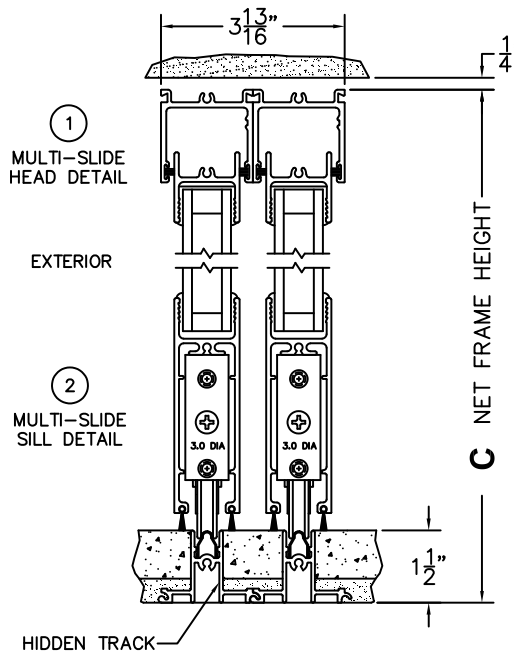
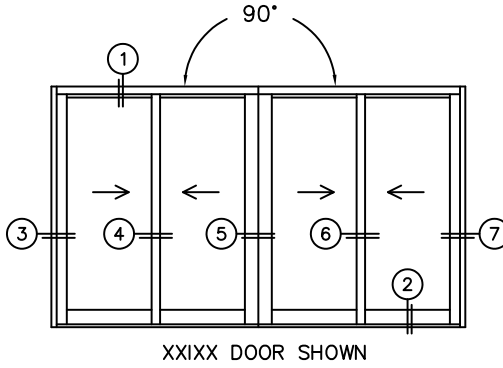
**C**(NET FRAME HEIGHT)

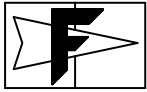
NOTES:



(USE RULER TO SCALE DIMENSIONS IN INCHES)

SCALE: 1/4





**FLEETWOOD**  
WINDOWS & DOORS  
FleetwoodUSA.com

**NORWOOD 3050**  
90°XXIXX STANDARD CONFIGURATION  
NO SCREENS

ORDER NO.:

ITEM NO.:

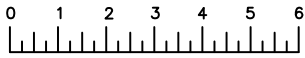
REQUIRED DEALER INFO.

**A**(NET FRAME WIDTH)

**B**(NET FRAME WIDTH)

**C**(NET FRAME HEIGHT)

NOTES:



(USE RULER TO SCALE DIMENSIONS IN INCHES)

SCALE: 1/4

