

FLEETWOOD
WINDOWS & DOORS
FleetwoodUSA.com

NORWOOD 3050
90°XXIXX STANDARD CONFIGURATION
NO SCREENS

ORDER NO.:

ITEM NO.:

REQUIRED DEALER INFO.

A(NET FRAME WIDTH)

B(NET FRAME WIDTH)

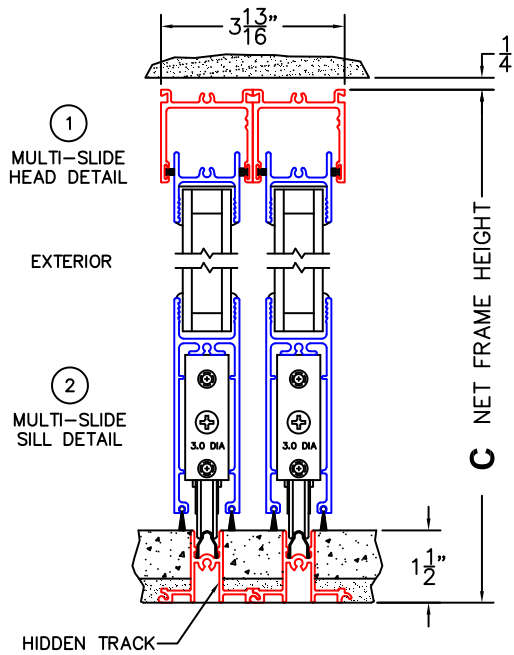
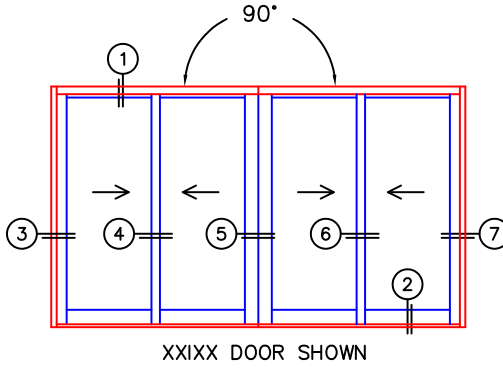
C(NET FRAME HEIGHT)

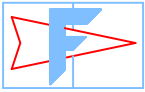
NOTES:



(USE RULER TO SCALE DIMENSIONS IN INCHES)

SCALE: 1/4





FLEETWOOD
WINDOWS & DOORS
FleetwoodUSA.com

NORWOOD 3050
90°XXIXX STANDARD CONFIGURATION
NO SCREENS

ORDER NO.:

ITEM NO.:

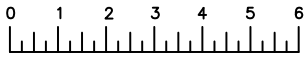
REQUIRED DEALER INFO.

A(NET FRAME WIDTH)

B(NET FRAME WIDTH)

C(NET FRAME HEIGHT)

NOTES:



(USE RULER TO SCALE DIMENSIONS IN INCHES)

SCALE: 1/4

