



FLEETWOOD
WINDOWS & DOORS
FleetwoodUSA.com

NORWOOD 3050
90° PXXXXIXXXXP STANDARD CONFIG.
WITH SCREENS

ORDER NO.:

ITEM NO.:

REQUIRED DEALER INFO.

A (DAYLIGHT WIDTH)

B (DAYLIGHT WIDTH)

C (NET FRAME HEIGHT)

CALCULATED VALUES (FLEETWOOD SUPPLIED)

D (POCKET WIDTH)

E (NET FRAME WIDTH)

F (POCKET WIDTH)

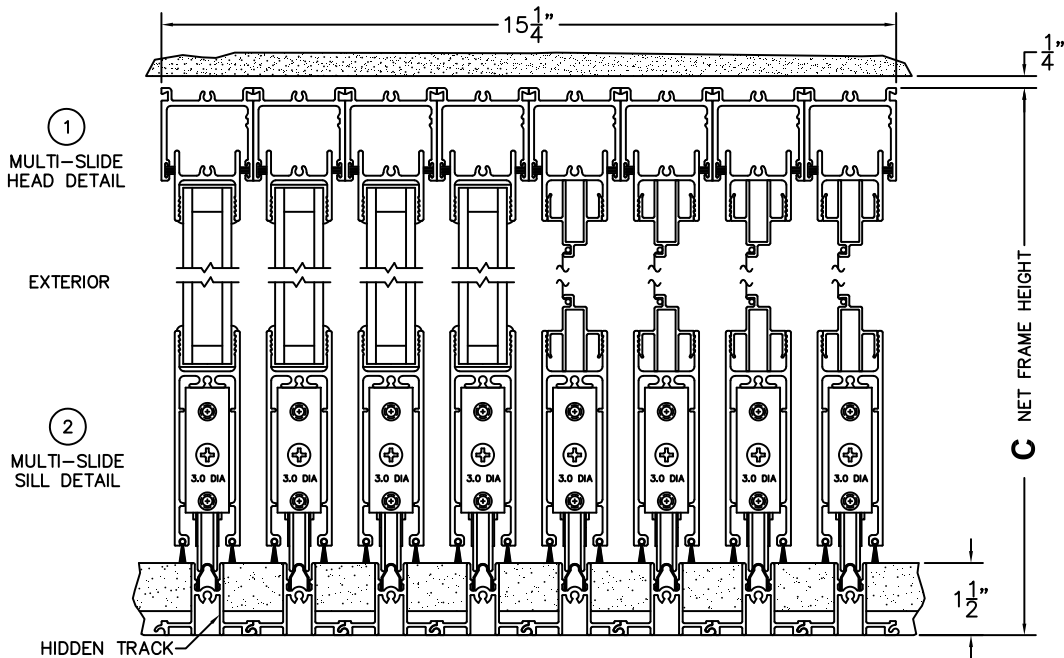
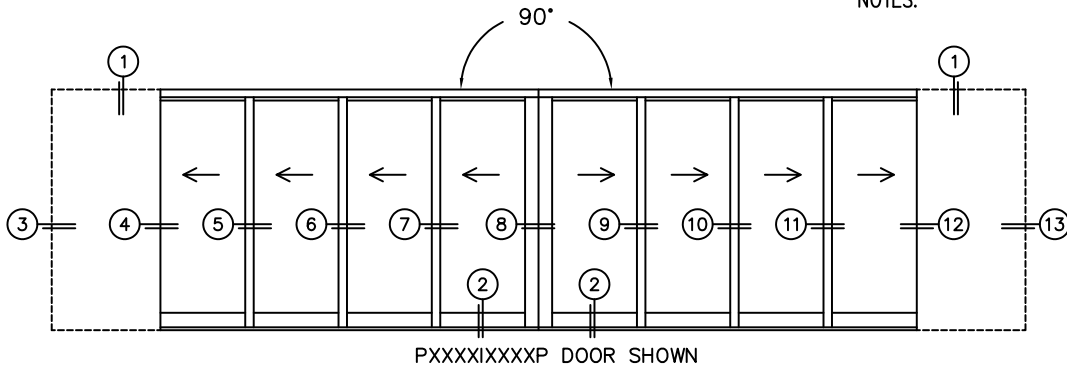
G (NET FRAME WIDTH)



(USE RULER TO SCALE DIMENSIONS IN INCHES)

SCALE: 1/4

NOTES:





FLEETWOOD
WINDOWS & DOORS
FleetwoodUSA.com

NORWOOD 3050
90° PXXXXIXXXXP STANDARD CONFIG.
WITH SCREENS

ORDER NO.:

ITEM NO.:

REQUIRED DEALER INFO.

A (DAYLIGHT WIDTH)

B (DAYLIGHT WIDTH)

C (NET FRAME HEIGHT)

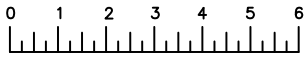
CALCULATED VALUES (FLEETWOOD SUPPLIED)

D (POCKET WIDTH)

E (NET FRAME WIDTH)

F (POCKET WIDTH)

G (NET FRAME WIDTH)



(USE RULER TO SCALE DIMENSIONS IN INCHES)

SCALE: 1/4

NOTES:

