



**FLEETWOOD**  
WINDOWS & DOORS  
FleetwoodUSA.com

# NORWOOD 3050

90°PXXXXIXXXXP STANDARD CONFIGURATION  
NO SCREENS

ORDER NO.:

ITEM NO.:

REQUIRED DEALER INFO.

**A** (DAYLIGHT WIDTH)

**B** (DAYLIGHT WIDTH)

**C** (NET FRAME HEIGHT)

CALCULATED VALUES (FLEETWOOD SUPPLIED)

**D** (POCKET WIDTH)

**E** (NET FRAME WIDTH)

**F** (POCKET WIDTH)

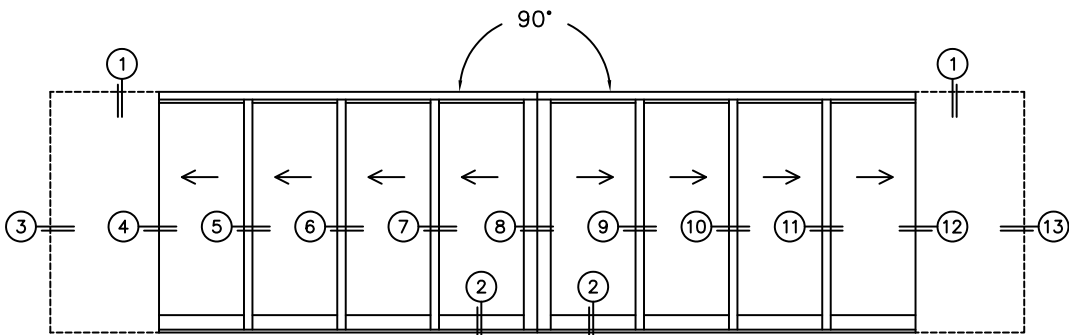
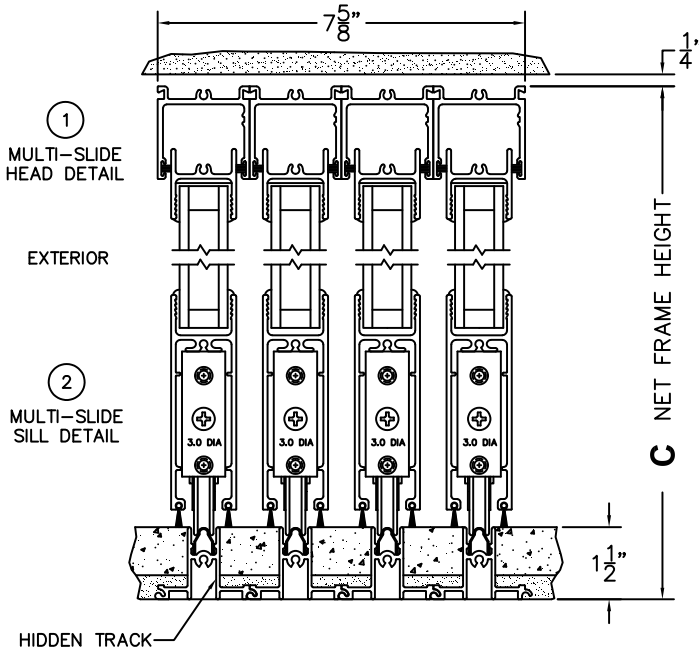
**G** (NET FRAME WIDTH)

NOTES:

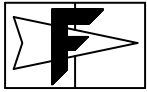


(USE RULER TO SCALE DIMENSIONS IN INCHES)

SCALE: 1/4



PXXXXIXXXXP DOOR SHOWN



**FLEETWOOD**  
WINDOWS & DOORS  
FleetwoodUSA.com

# NORWOOD 3050

90°PXXXXIXXXXP STANDARD CONFIGURATION  
NO SCREENS

ORDER NO.:

ITEM NO.:

REQUIRED DEALER INFO.

**A** (DAYLIGHT WIDTH)

**B** (DAYLIGHT WIDTH)

**C** (NET FRAME HEIGHT)

CALCULATED VALUES (FLEETWOOD SUPPLIED)

**D** (POCKET WIDTH)

**E** (NET FRAME WIDTH)

**F** (POCKET WIDTH)

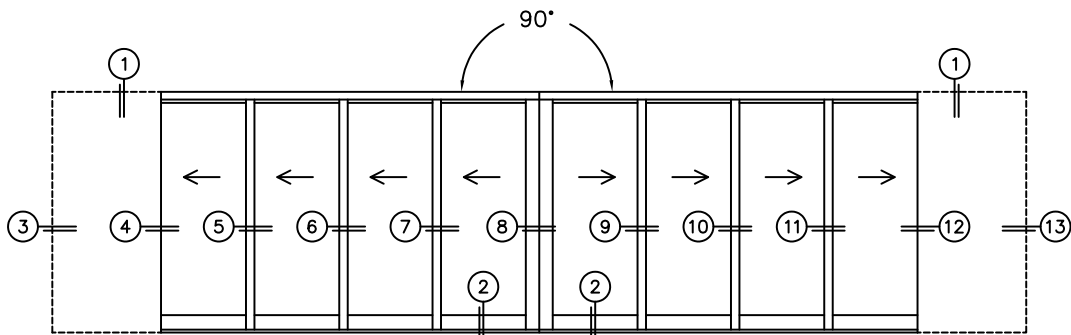
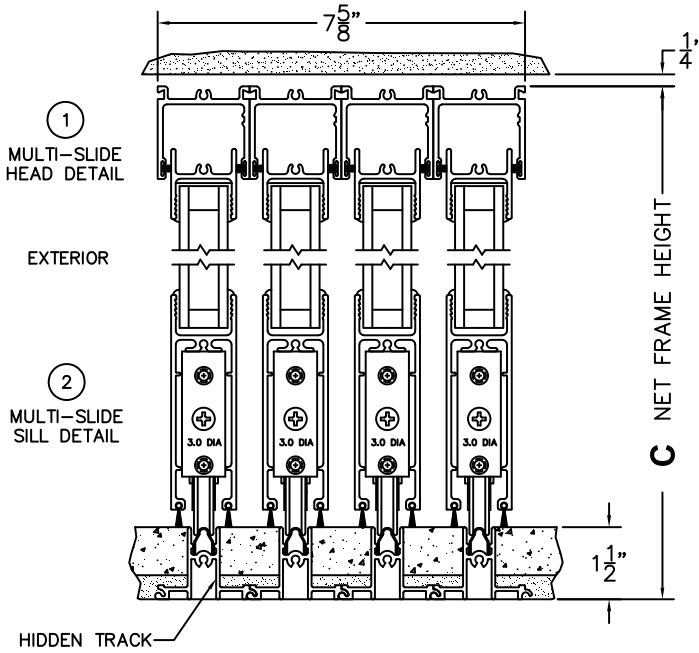
**G** (NET FRAME WIDTH)

NOTES:



(USE RULER TO SCALE DIMENSIONS IN INCHES)

SCALE: 1/4



PXXXXIXXXXP DOOR SHOWN