



FLEETWOOD
WINDOWS & DOORS
FleetwoodUSA.com

NORWOOD 3050
90°PXXXXIXXXX CUSTOM CONFIGURATION
NO SCREENS

ORDER NO.:

ITEM NO.:

REQUIRED DEALER INFO.

A (NET FRAME WIDTH)	
B (DAYLIGHT WIDTH)	
C (NET FRAME HEIGHT)	
SILL PAN HEIGHT(INTERIOR LEG) (3/4", 1-1/16", 1-7/16" OR 1-7/8")	

CALCULATED VALUES (FLEETWOOD SUPPLIED)

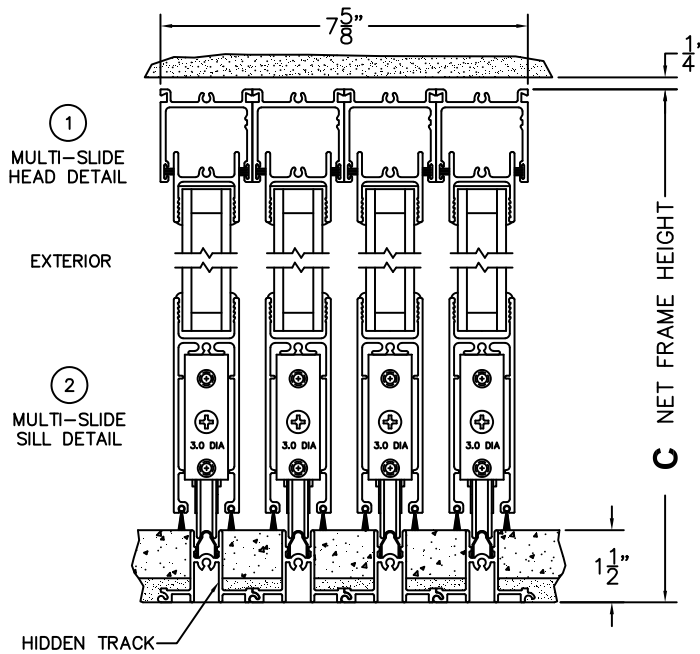
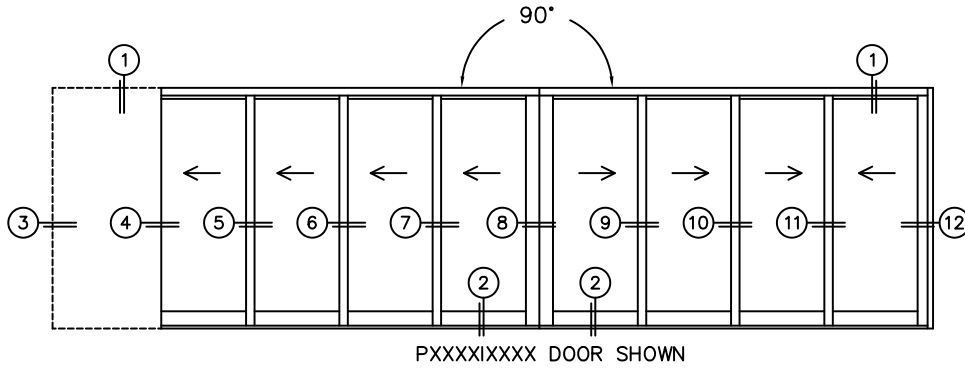
D (POCKET WIDTH)	
E (NET FRAME WIDTH)	

NOTES:



(USE RULER TO SCALE DIMENSIONS IN INCHES)

SCALE: 1/4





FLEETWOOD
WINDOWS & DOORS
FleetwoodUSA.com

NORWOOD 3050
90°PXXXXIXXXX CUSTOM CONFIGURATION
NO SCREENS

ORDER NO.:

ITEM NO.:

REQUIRED DEALER INFO.

A (NET FRAME WIDTH)	
B (DAYLIGHT WIDTH)	
C (NET FRAME HEIGHT)	
SILL PAN HEIGHT(INTERIOR LEG) (3/4", 1-1/16", 1-7/16" OR 1-7/8")	

CALCULATED VALUES (FLEETWOOD SUPPLIED)

D (POCKET WIDTH)	
E (NET FRAME WIDTH)	

NOTES:



(USE RULER TO SCALE DIMENSIONS IN INCHES)

SCALE: 1/4

