

**FLEETWOOD**  
WINDOWS & DOORS  
FleetwoodUSA.com

**NORWOOD 3050**  
90° PXXXXIXXP STANDARD CONFIG.  
WITH SCREENS

ORDER NO.:

ITEM NO.:

REQUIRED DEALER INFO.

**A**(DAYLIGHT WIDTH)

**B**(DAYLIGHT WIDTH)

**C**(NET FRAME HEIGHT)

CALCULATED VALUES (FLEETWOOD SUPPLIED)

**D**(POCKET WIDTH)

**E**(NET FRAME WIDTH)

**F**(POCKET WIDTH)

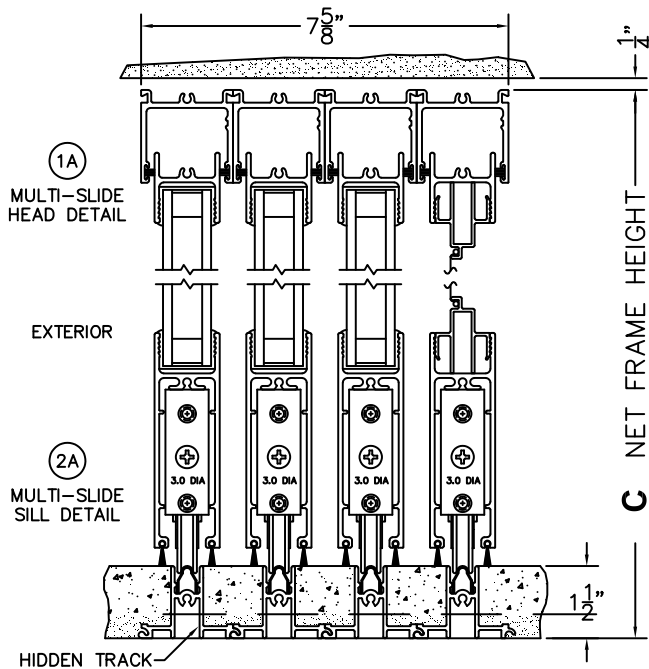
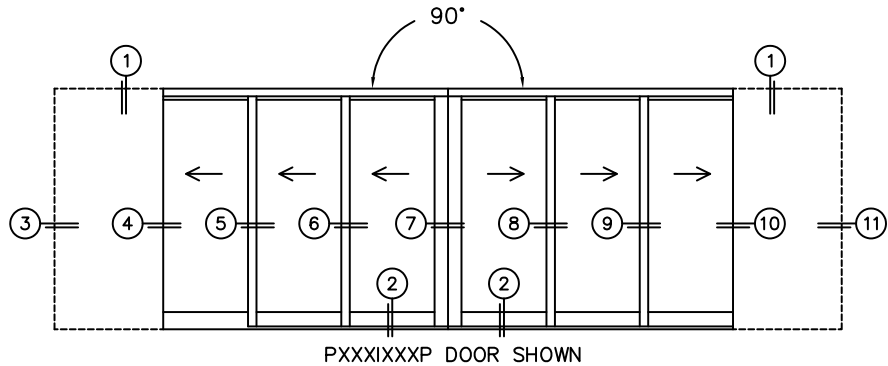
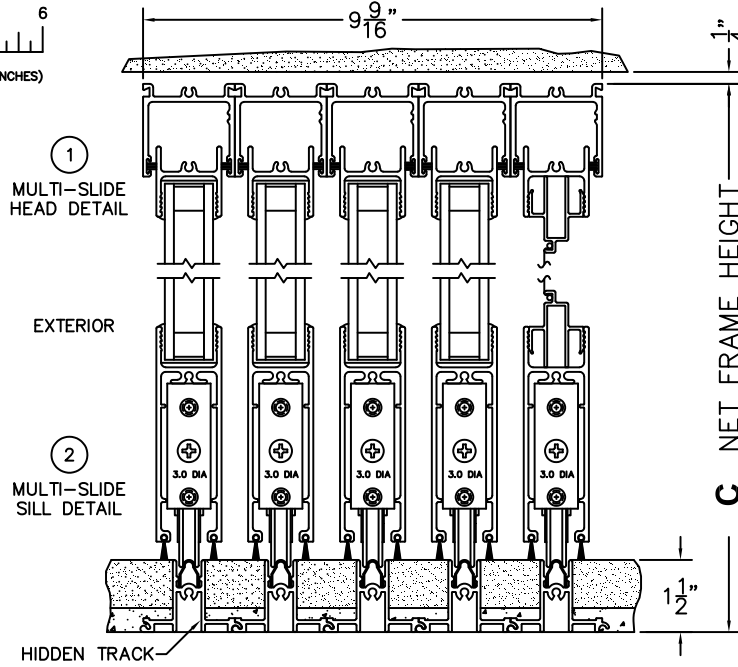
**G**(NET FRAME WIDTH)

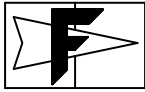
NOTES:



(USE RULER TO SCALE DIMENSIONS IN INCHES)

SCALE: 1/4





**FLEETWOOD**  
WINDOWS & DOORS  
FleetwoodUSA.com

**NORWOOD 3050**  
90° PXXXXIXXP STANDARD CONFIG.  
WITH SCREENS

ORDER NO.:

ITEM NO.:

REQUIRED DEALER INFO.

**A**(DAYLIGHT WIDTH)

**B**(DAYLIGHT WIDTH)

**C**(NET FRAME HEIGHT)

CALCULATED VALUES (FLEETWOOD SUPPLIED)

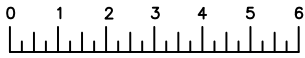
**D**(POCKET WIDTH)

**E**(NET FRAME WIDTH)

**F**(POCKET WIDTH)

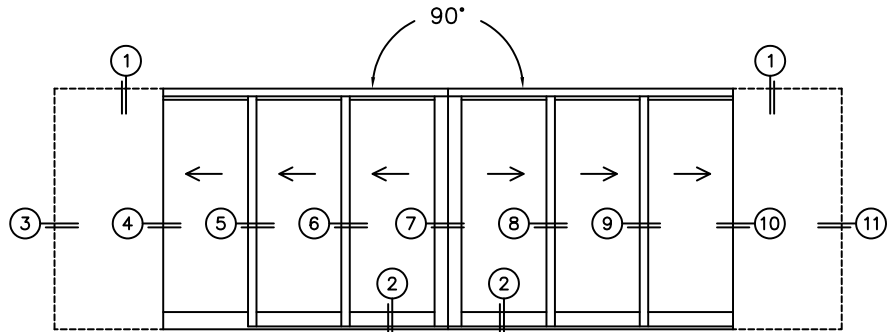
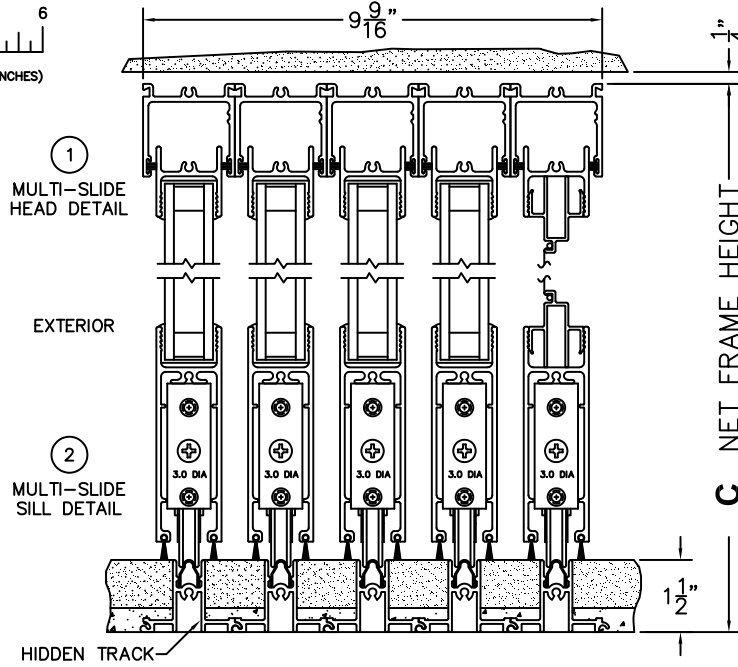
**G**(NET FRAME WIDTH)

NOTES:



(USE RULER TO SCALE DIMENSIONS IN INCHES)

SCALE: 1/4



PXXXXIXXP DOOR SHOWN

