



FLEETWOOD
WINDOWS & DOORS
FleetwoodUSA.com

NORWOOD 3050
90°PXXIXXP CUSTOM CONFIGURATION
NO SCREENS

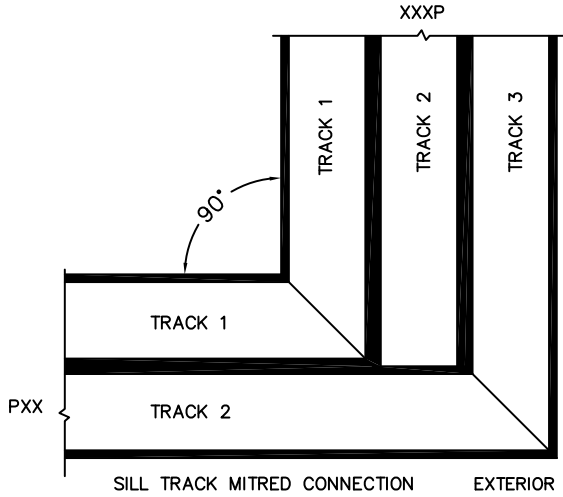
ORDER NO.:

ITEM NO.:



(USE RULER TO SCALE DIMENSIONS IN INCHES)

SCALE: 1/4



⑩ POCKET JAMB

⑨ POCKET INTERLOCKERS

LOCK STILE PANEL IN OPEN POSITION STACKS FLUSH WITH POCKET FACE

⑧ INTERLOCKERS

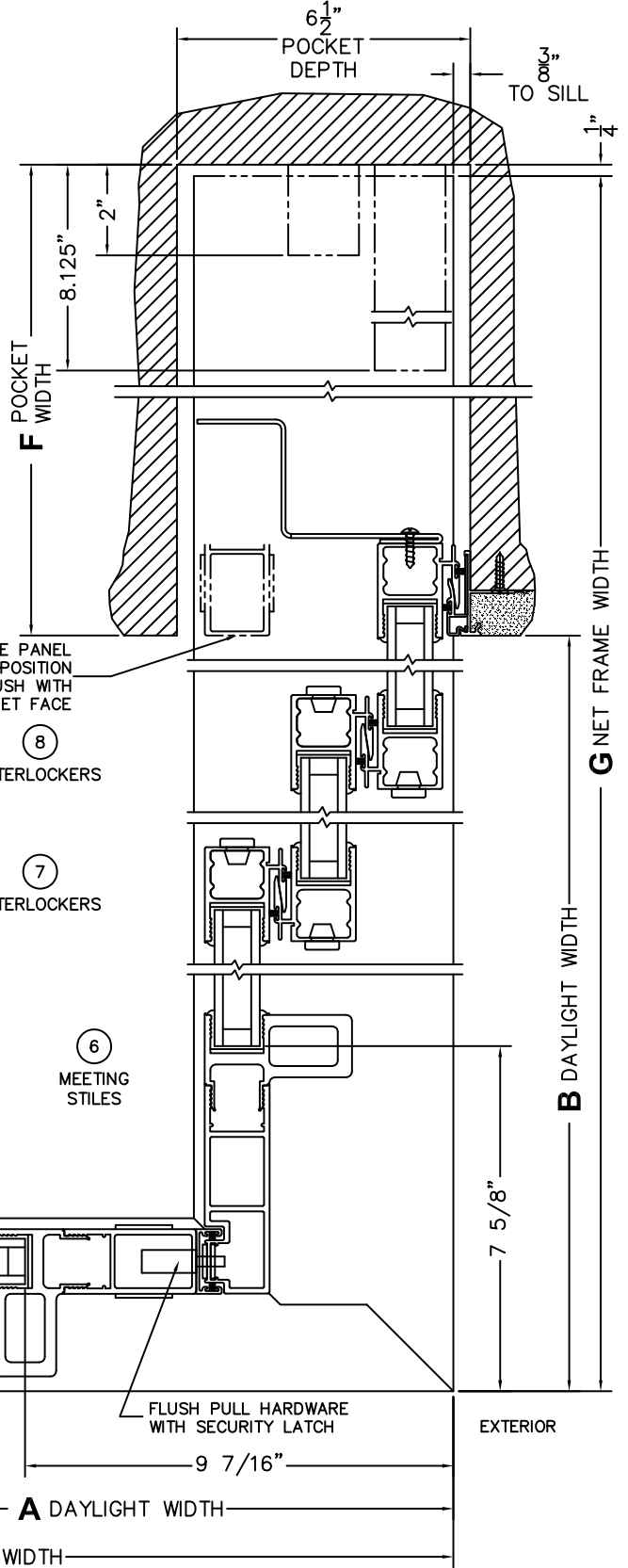
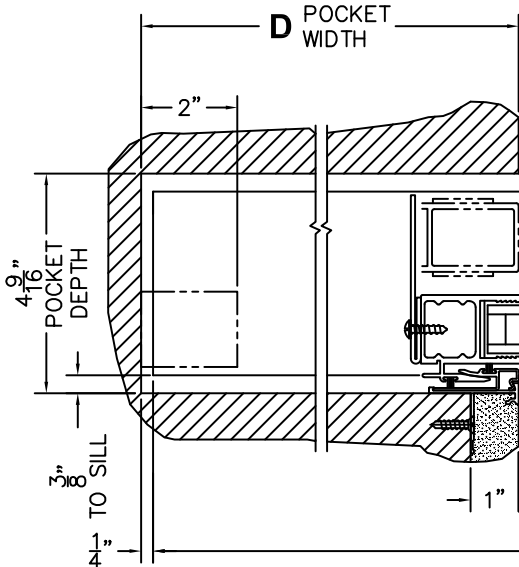
⑦ INTERLOCKERS

③ POCKET JAMB

④ POCKET INTERLOCKERS

⑤ INTERLOCKERS

⑥ MEETING STILES



*CAUTION: WHEN CONSTRUCTING POCKET NOTE THAT DAYLIGHT WIDTH DOES NOT INCLUDE 1" SET BACK FOR POST INTERLOCKER.