

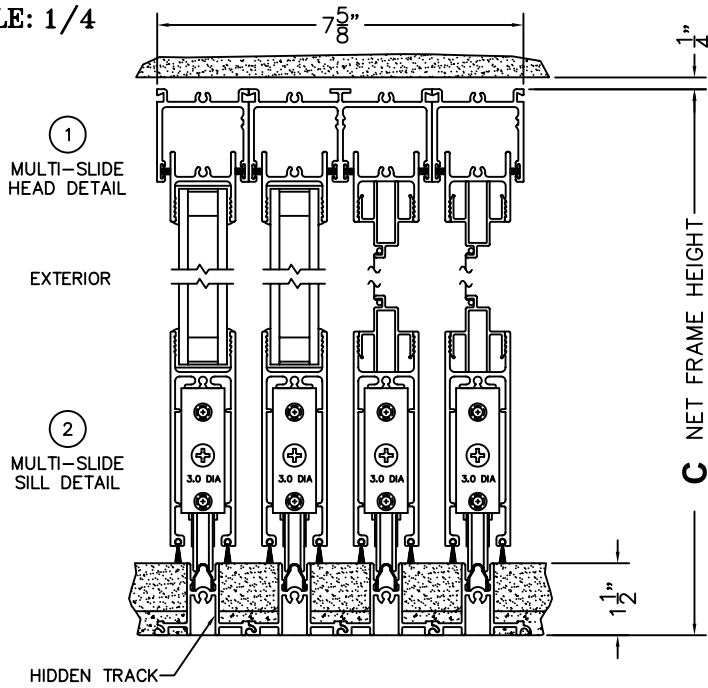
FLEETWOOD
WINDOWS & DOORS
FleetwoodUSA.com

NORWOOD 3050 M/S
90°PXXIXXX CUSTOM CONFIGURATION
HIDDEN TRACK WITH SCREENS

ORDER NO.:

ITEM NO.:

SCALE: 1/4



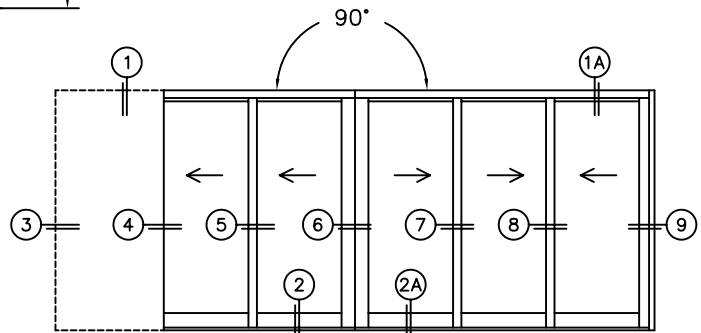
REQUIRED DEALER INFO.

A (NET FRAME WIDTH)	
B (DAYLIGHT WIDTH)	
C (NET FRAME HEIGHT)	

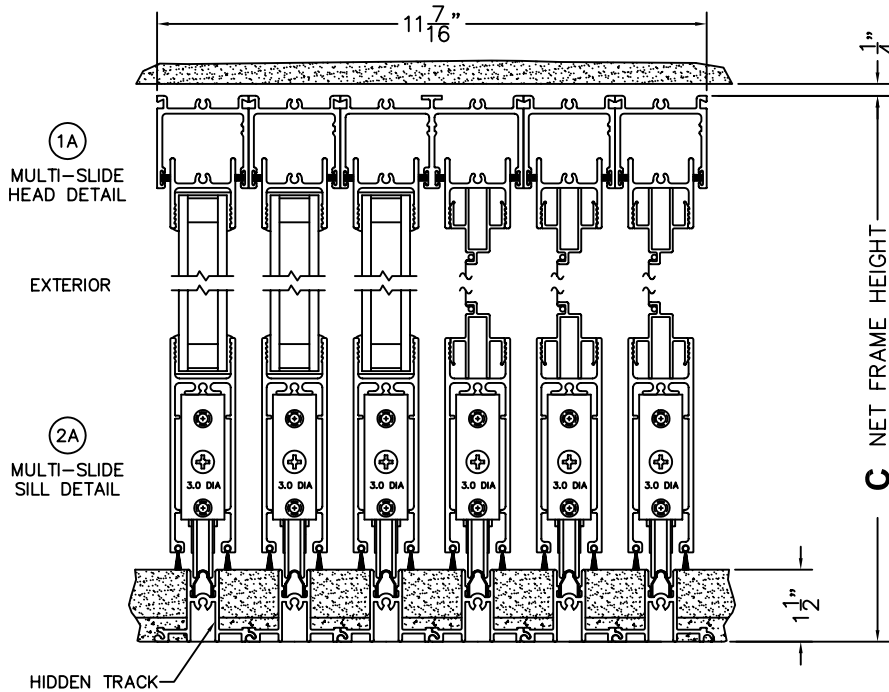
CALCULATED VALUES (FLEETWOOD SUPPLIED)

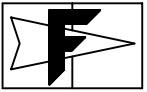
D (POCKET WIDTH)	
E (NET FRAME WIDTH)	

NOTES:



PXXIXXX DOOR SHOWN





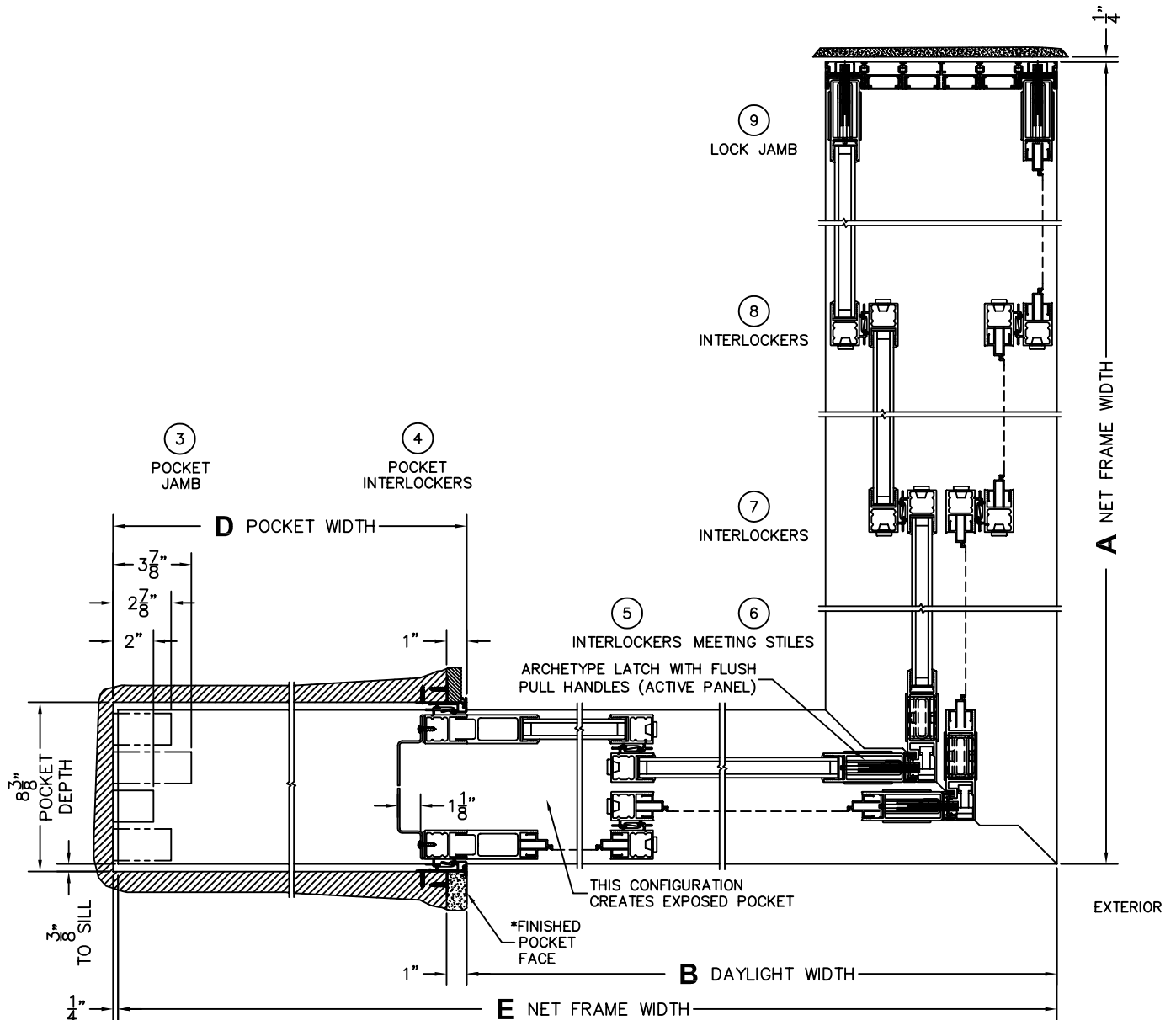
FLEETWOOD
WINDOWS & DOORS
FleetwoodUSA.com

NORWOOD 3050 M/S
90°PXXIXXX CUSTOM CONFIGURATION
HIDDEN TRACK WITH SCREENS

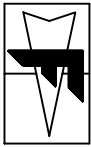
ORDER NO.:

ITEM NO.:

SCALE: 1/8



*CAUTION: WHEN CONSTRUCTING POCKET NOTE THAT DAYLIGHT WIDTH DOES NOT INCLUDE 1" SET BACK FOR POST INTERLOCKER.



FLEETWOOD
 WINDOWS & DOORS
 FleetwoodUSA.com

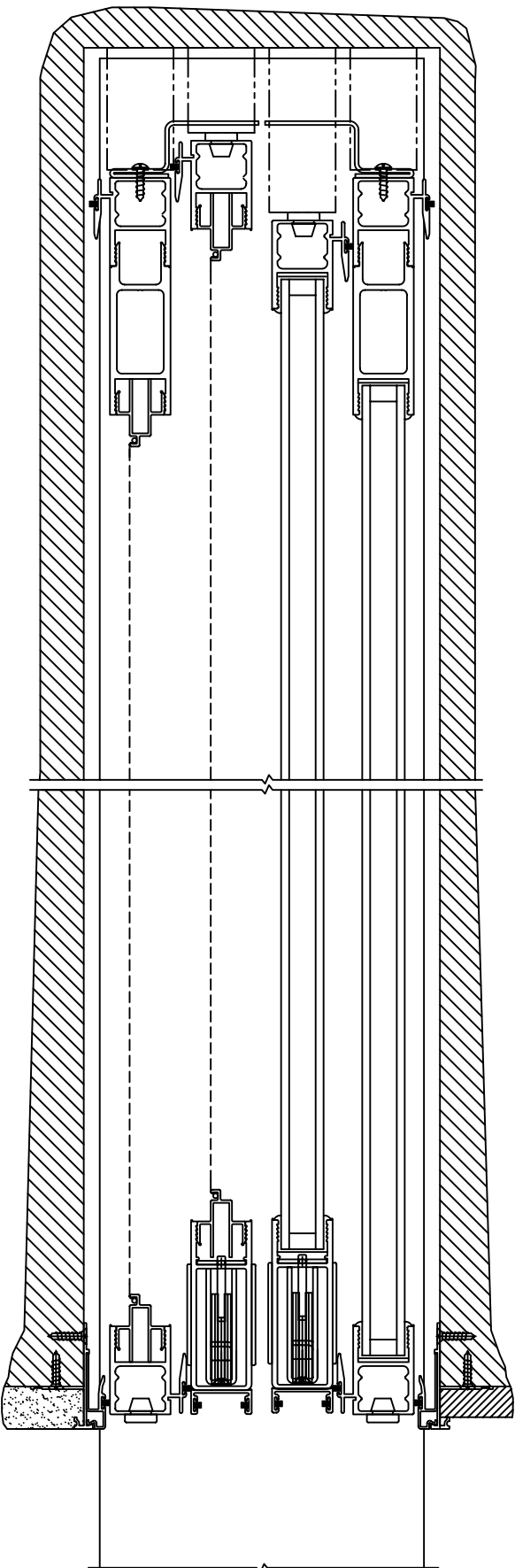
NORWOOD 3050 M/S
 90°PXXXXX CUSTOM CONFIGURATION
 HIDDEN TRACK WITH SCREENS

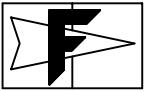
ORDER NO.:

ITEM NO.:

SCALE: 1/4

EQUAL GLASS:
 PANELS IN OPEN POSITION





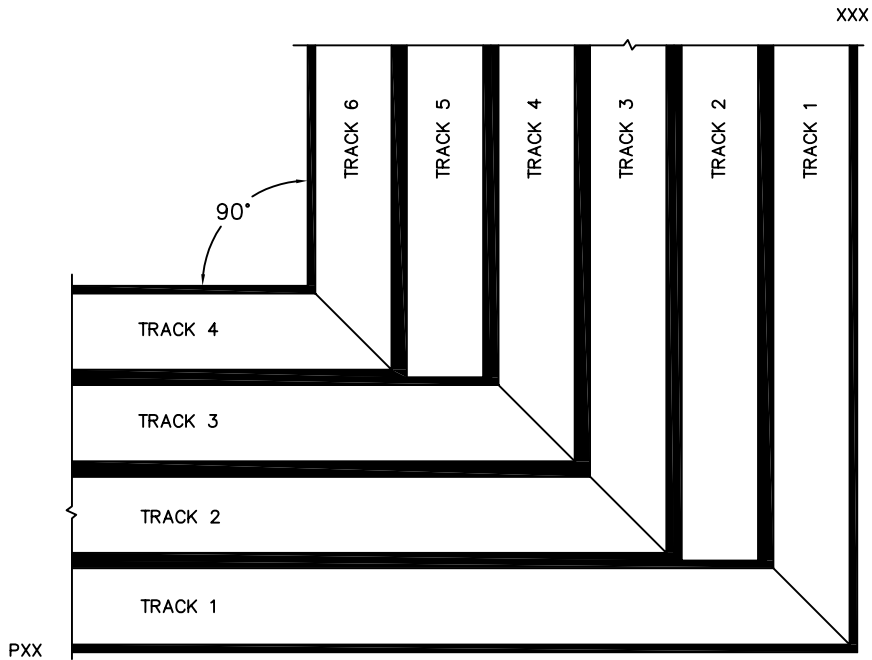
FLEETWOOD
 WINDOWS & DOORS
 FleetwoodUSA.com

NORWOOD 3050 M/S
 90°PXXIXXX CUSTOM CONFIGURATION
 HIDDEN TRACK WITH SCREENS

ORDER NO.:

ITEM NO.:

SCALE: 1/4



SILL TRACK MITRED CONNECTION