

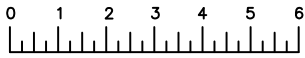


FLEETWOOD
WINDOWS & DOORS
FleetwoodUSA.com

NORWOOD 3050
90°PXXIXP STANDARD CONFIGURATION
NO SCREENS

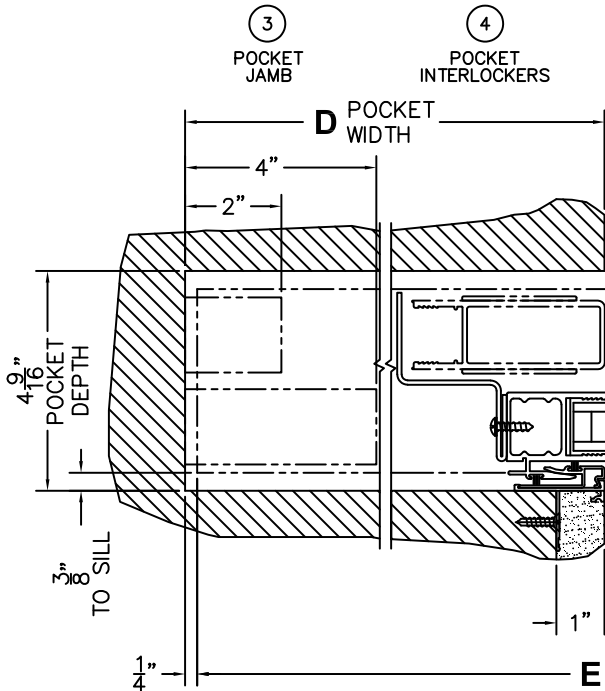
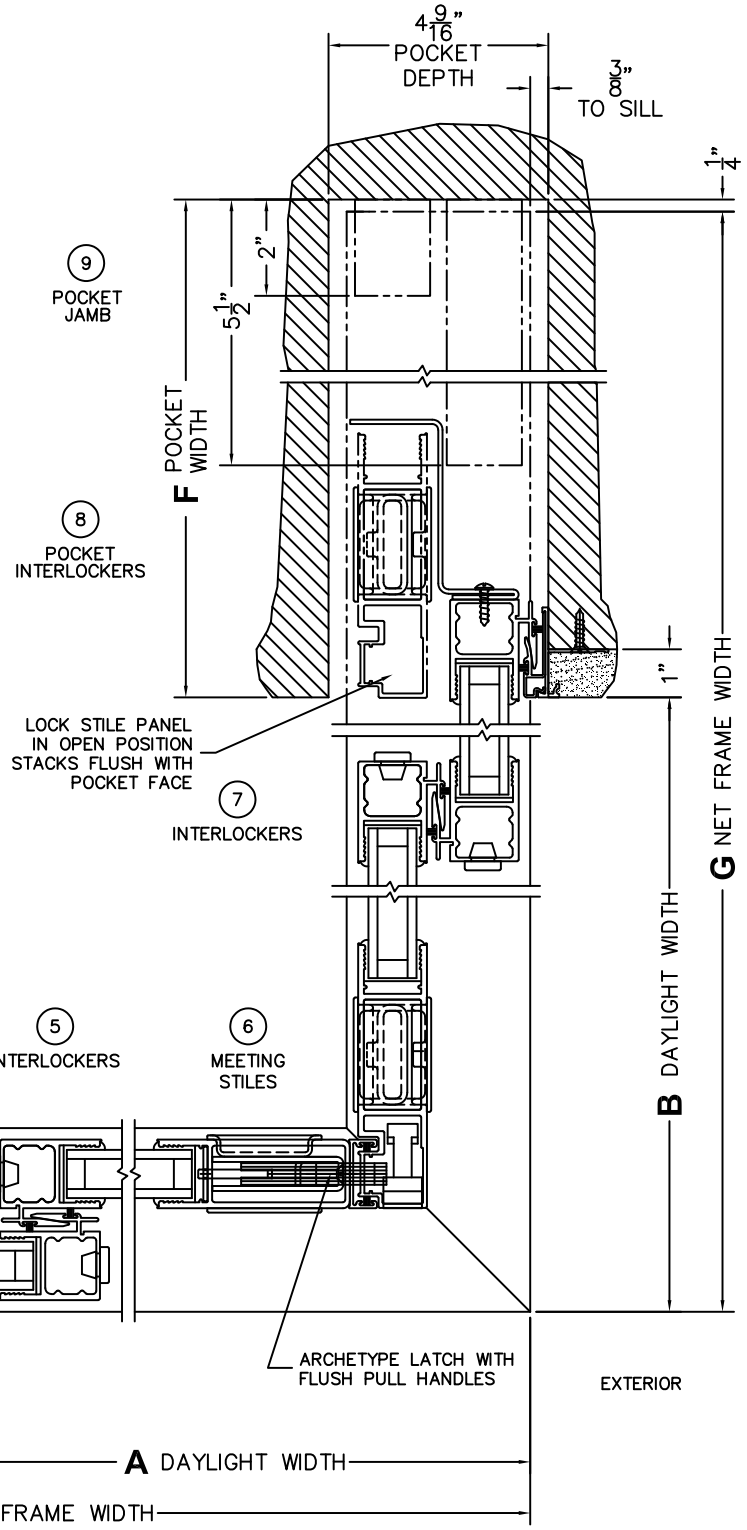
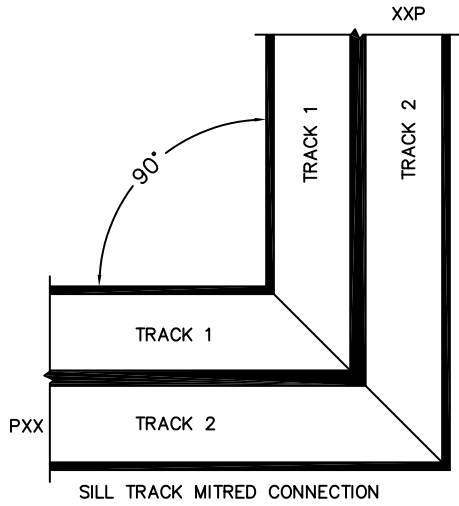
ORDER NO.:

ITEM NO.:



(USE RULER TO SCALE DIMENSIONS IN INCHES)

SCALE: 1/4



*CAUTION: WHEN CONSTRUCTING POCKET NOTE THAT DAYLIGHT WIDTH DOES NOT INCLUDE 1" SET BACK FOR POST INTERLOCKER.