



**FLEETWOOD**  
WINDOWS & DOORS  
FleetwoodUSA.com

**NORWOOD 3050**  
90°PXXIXXP CUSTOM CONFIGURATION  
NO SCREENS

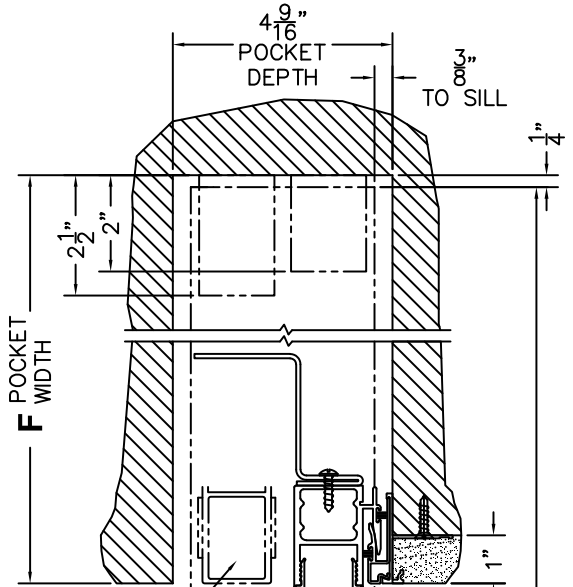
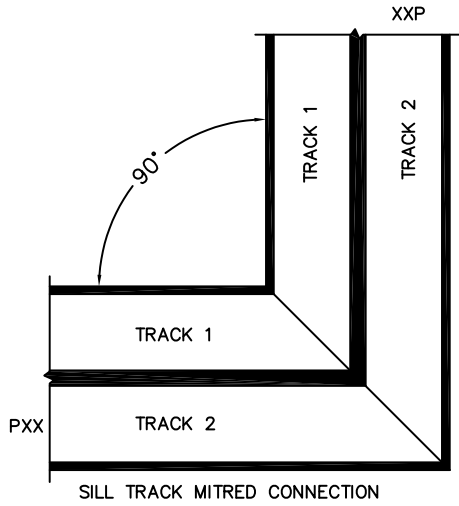
ORDER NO.:

ITEM NO.:

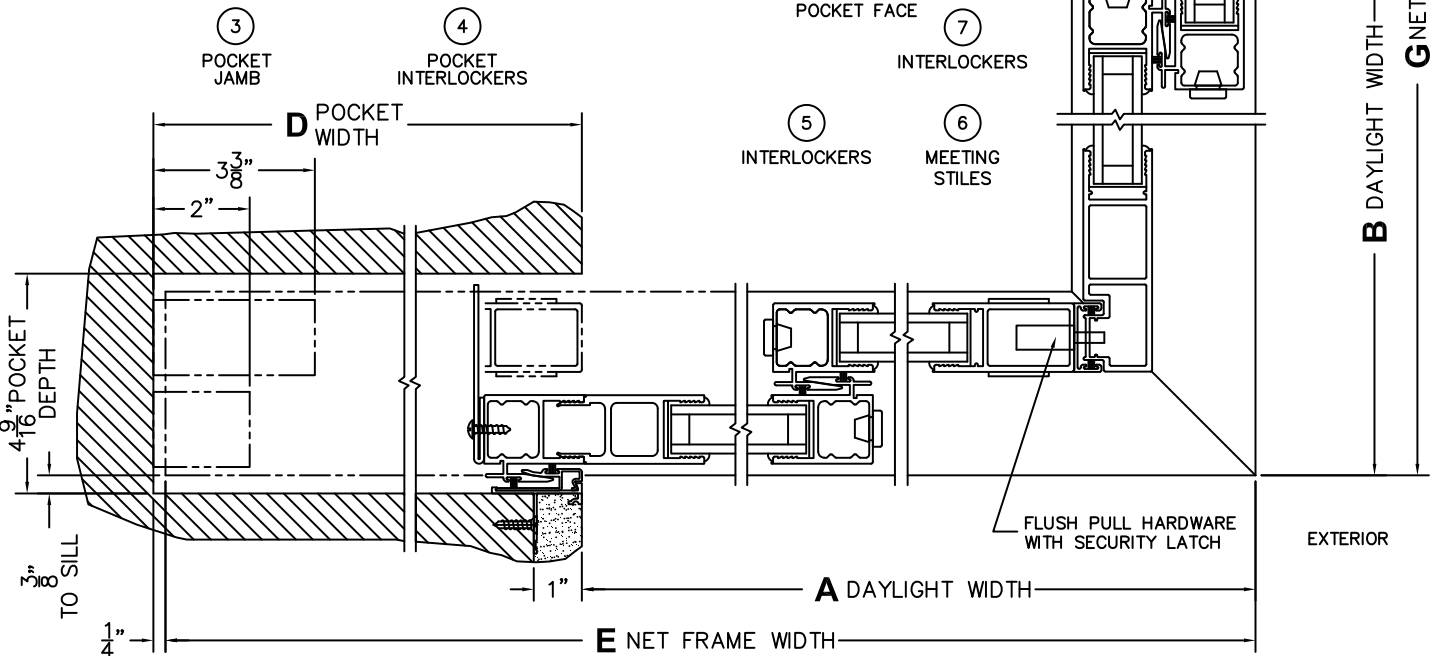


(USE RULER TO SCALE DIMENSIONS IN INCHES)

SCALE: 1/4



LOCK STILE PANEL IN OPEN POSITION STACKS FLUSH WITH POCKET FACE



\*CAUTION: WHEN CONSTRUCTING POCKET NOTE THAT DAYLIGHT WIDTH DOES NOT INCLUDE 1" SET BACK FOR POST INTERLOCKER.