

FLEETWOOD
WINDOWS & DOORS
FleetwoodUSA.com

NORWOOD 3050
90°PXIXXXXXP STANDARD CONFIGURATION
NO SCREENS

ORDER NO.:

ITEM NO.:

REQUIRED DEALER INFO.

A(DAYLIGHT WIDTH)

B(DAYLIGHT WIDTH)

C(NET FRAME HEIGHT)

CALCULATED VALUES (FLEETWOOD SUPPLIED)

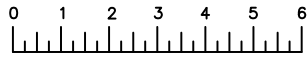
D(POCKET WIDTH)

E(NET FRAME WIDTH)

F(POCKET WIDTH)

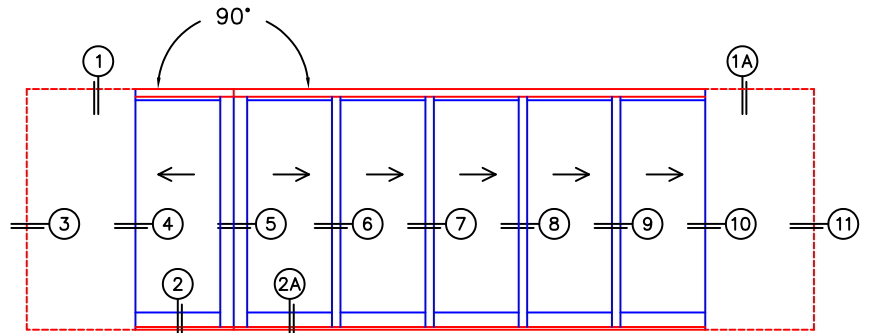
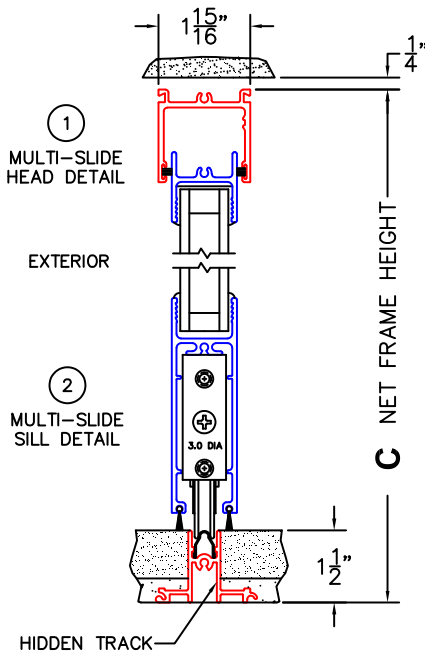
G(NET FRAME WIDTH)

NOTES:



(USE RULER TO SCALE DIMENSIONS IN INCHES)

SCALE: 1/4



PXIXXXXXP DOOR SHOWN

