

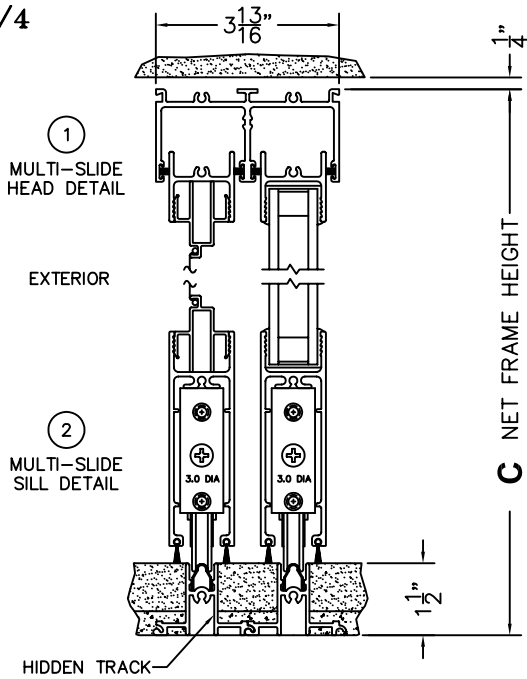
**FLEETWOOD**  
WINDOWS & DOORS  
FleetwoodUSA.com

**NORWOOD 3050 M/S**  
90°PXIXXP CUSTOM CONFIGURATION  
HIDDEN TRACK WITH SCREENS

ORDER NO.:

ITEM NO.:

SCALE: 1/4



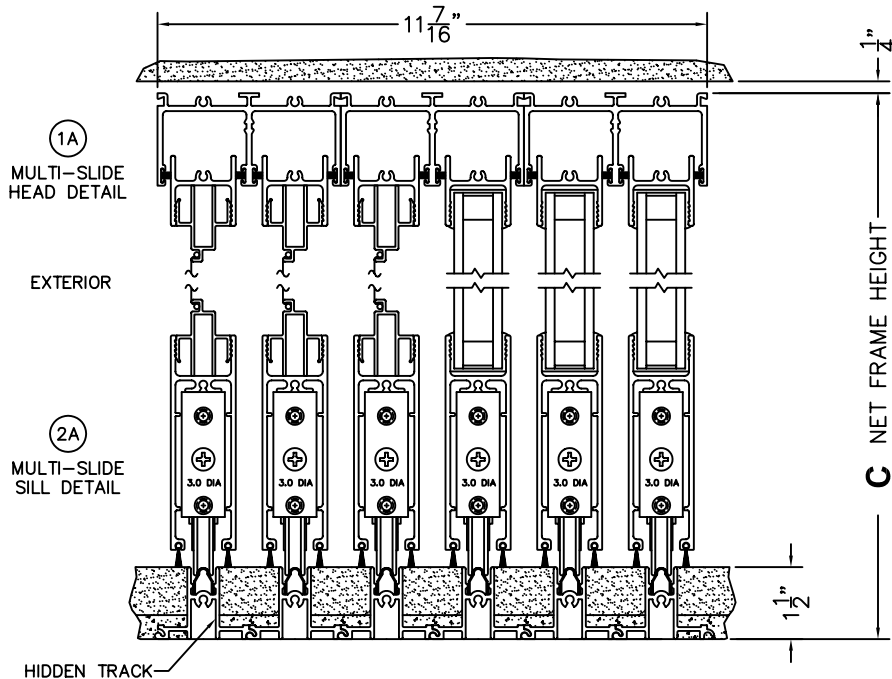
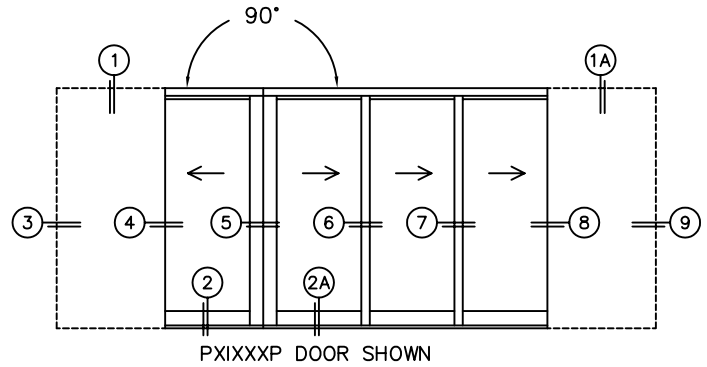
REQUIRED DEALER INFO.

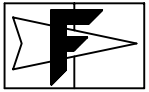
<b>A</b> (DAYLIGHT WIDTH)	
<b>B</b> (DAYLIGHT WIDTH)	
<b>C</b> (NET FRAME HEIGHT)	

CALCULATED VALUES (FLEETWOOD SUPPLIED)

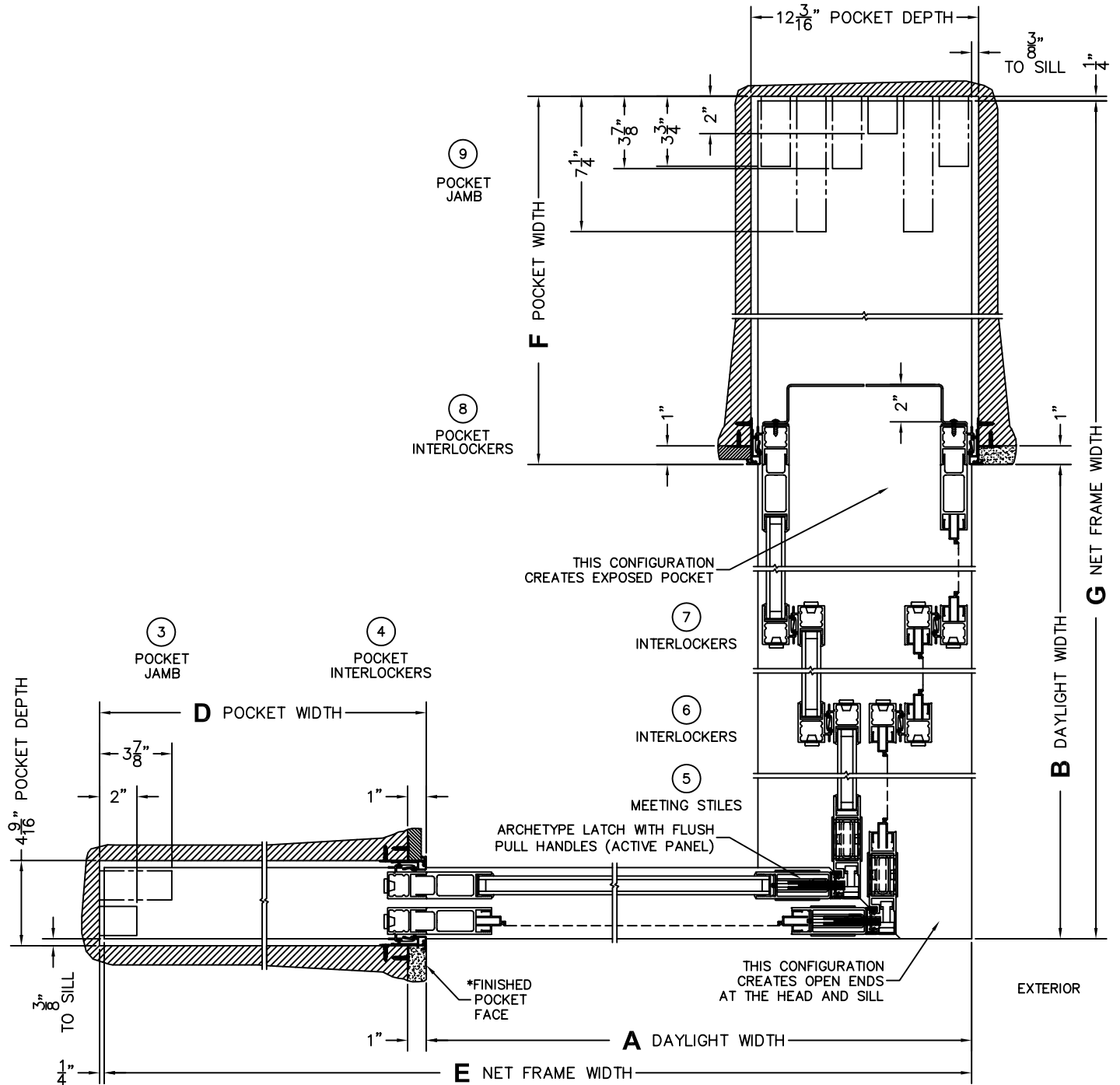
<b>D</b> (POCKET WIDTH)	
<b>E</b> (NET FRAME WIDTH)	
<b>F</b> (POCKET WIDTH)	
<b>G</b> (NET FRAME WIDTH)	

NOTES:

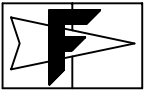




SCALE: 1/8



\*CAUTION: WHEN CONSTRUCTING POCKET NOTE THAT DAYLIGHT WIDTH DOES NOT INCLUDE 1" SET BACK FOR POST INTERLOCKER.



**FLEETWOOD**  
WINDOWS & DOORS  
FleetwoodUSA.com

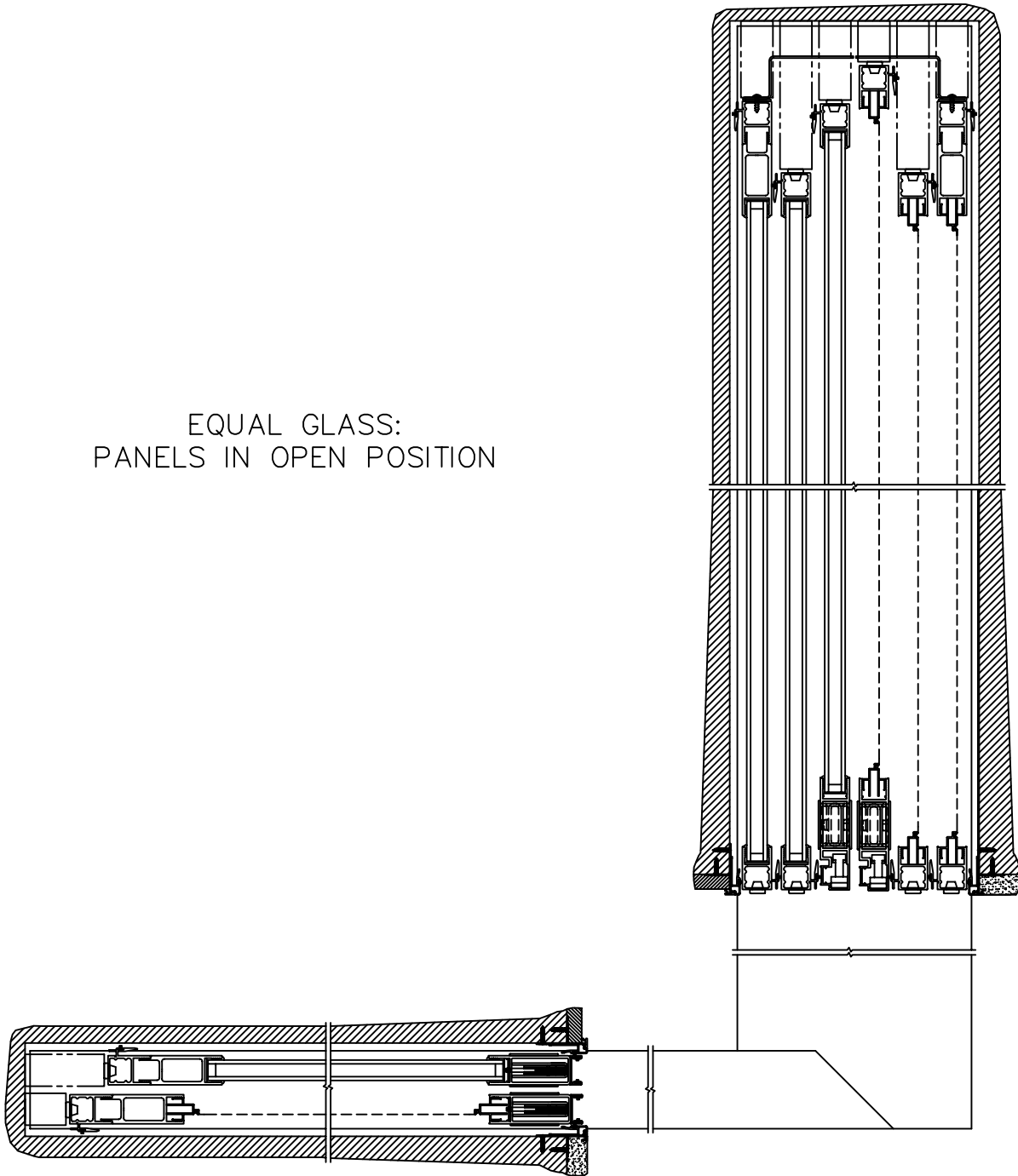
**NORWOOD 3050 M/S**  
90°PXIXXP CUSTOM CONFIGURATION  
HIDDEN TRACK WITH SCREENS

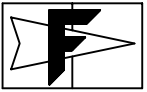
ORDER NO.:

ITEM NO.:

SCALE: 1/8

EQUAL GLASS:  
PANELS IN OPEN POSITION





**FLEETWOOD**  
WINDOWS & DOORS  
FleetwoodUSA.com

**NORWOOD 3050 M/S**  
90°PXIXXP CUSTOM CONFIGURATION  
HIDDEN TRACK WITH SCREENS

ORDER NO.:

ITEM NO.:

SCALE: 1/4

