

**FLEETWOOD**  
WINDOWS & DOORS  
FleetwoodUSA.com

# NORWOOD 3050

90°OXXXXIXXXXO CUSTOM CONFIGURATION  
HIDDEN TRACK NO SCREENS

ORDER NO.:

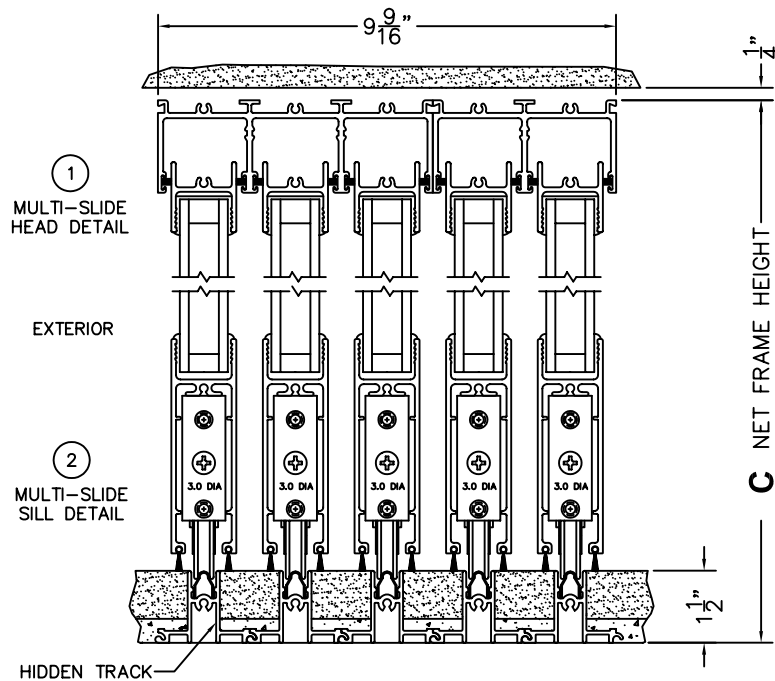
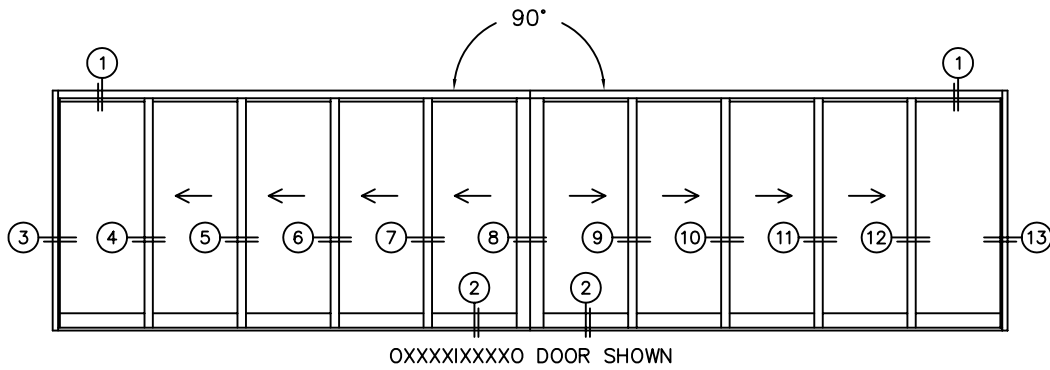
ITEM NO.:

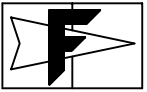
SCALE: 1/4

REQUIRED DEALER INFO.

<b>A</b> (NET FRAME WIDTH)	
<b>B</b> (NET FRAME WIDTH)	
<b>C</b> (NET FRAME HEIGHT)	

NOTES:





**FLEETWOOD**  
WINDOWS & DOORS  
FleetwoodUSA.com

# NORWOOD 3050

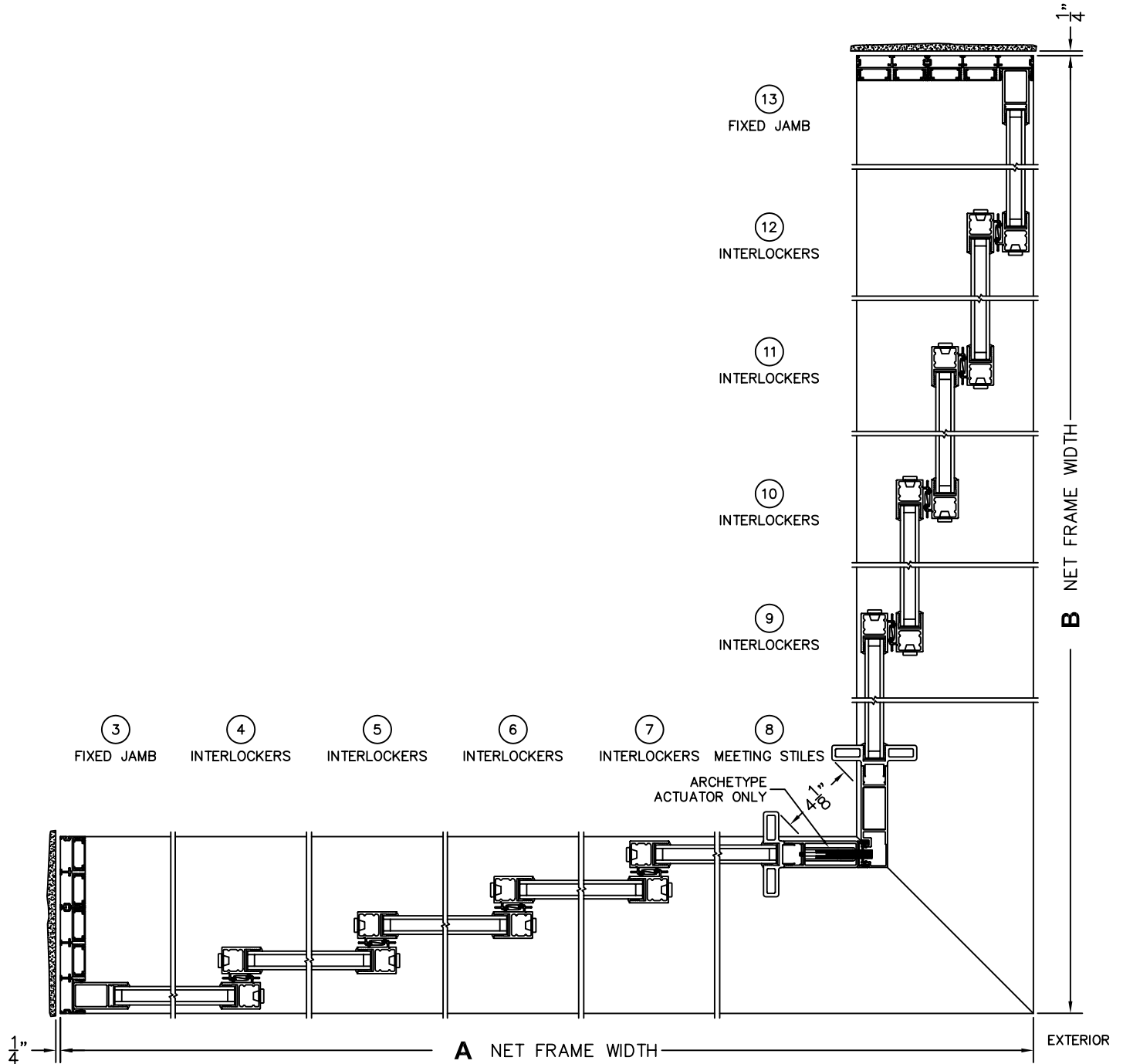
90°XXXXXXXXXXO CUSTOM CONFIGURATION  
HIDDEN TRACK NO SCREENS

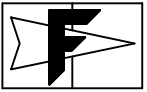
ORDER NO.:

ITEM NO.:

SCALE: 1/8

NOTE: THIS CONFIGURATION LIMITS  
ACTUATOR ACCESS TO 4-1/8"  
\*CUSTOMER INIT.





**FLEETWOOD**  
WINDOWS & DOORS  
FleetwoodUSA.com

**NORWOOD 3050**

90°XXXXXXXXXXO CUSTOM CONFIGURATION  
HIDDEN TRACK NO SCREENS

ORDER NO.:

ITEM NO.:

SCALE: 1/8

PANELS SHOWN IN OPEN POSITION

