

**FLEETWOOD**  
WINDOWS & DOORS  
FleetwoodUSA.com

# NORWOOD 3050

90°OXIXO STANDARD CONFIGURATION  
HIDDEN TRACK WITH SCREENS

ORDER NO.:

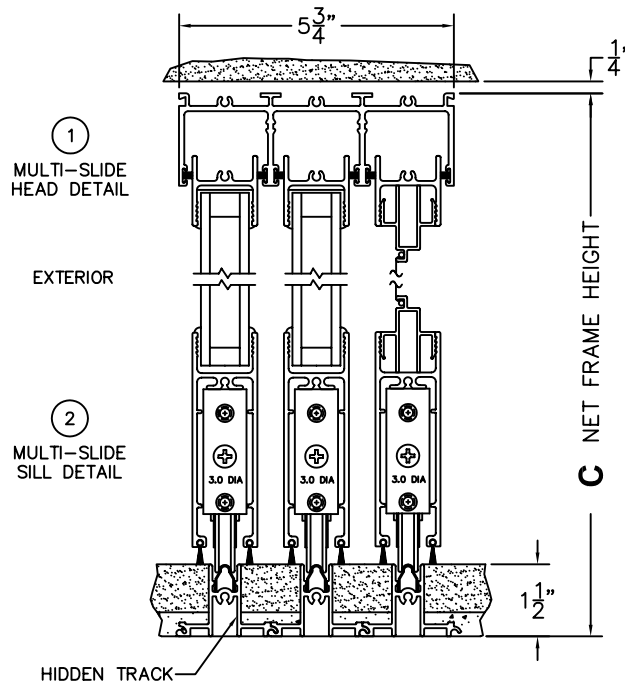
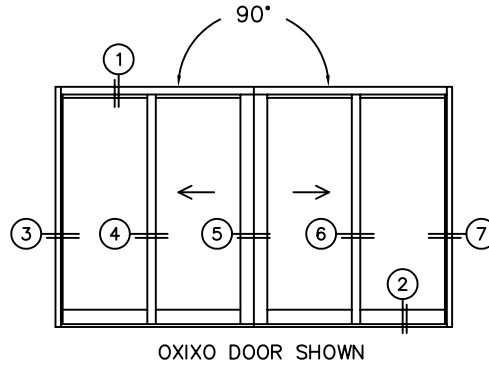
ITEM NO.:

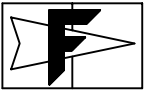
SCALE: 1/4

REQUIRED DEALER INFO.

<b>A</b> (NET FRAME WIDTH)	
<b>B</b> (NET FRAME WIDTH)	
<b>C</b> (NET FRAME HEIGHT)	

NOTES:





**FLEETWOOD**  
WINDOWS & DOORS  
FleetwoodUSA.com

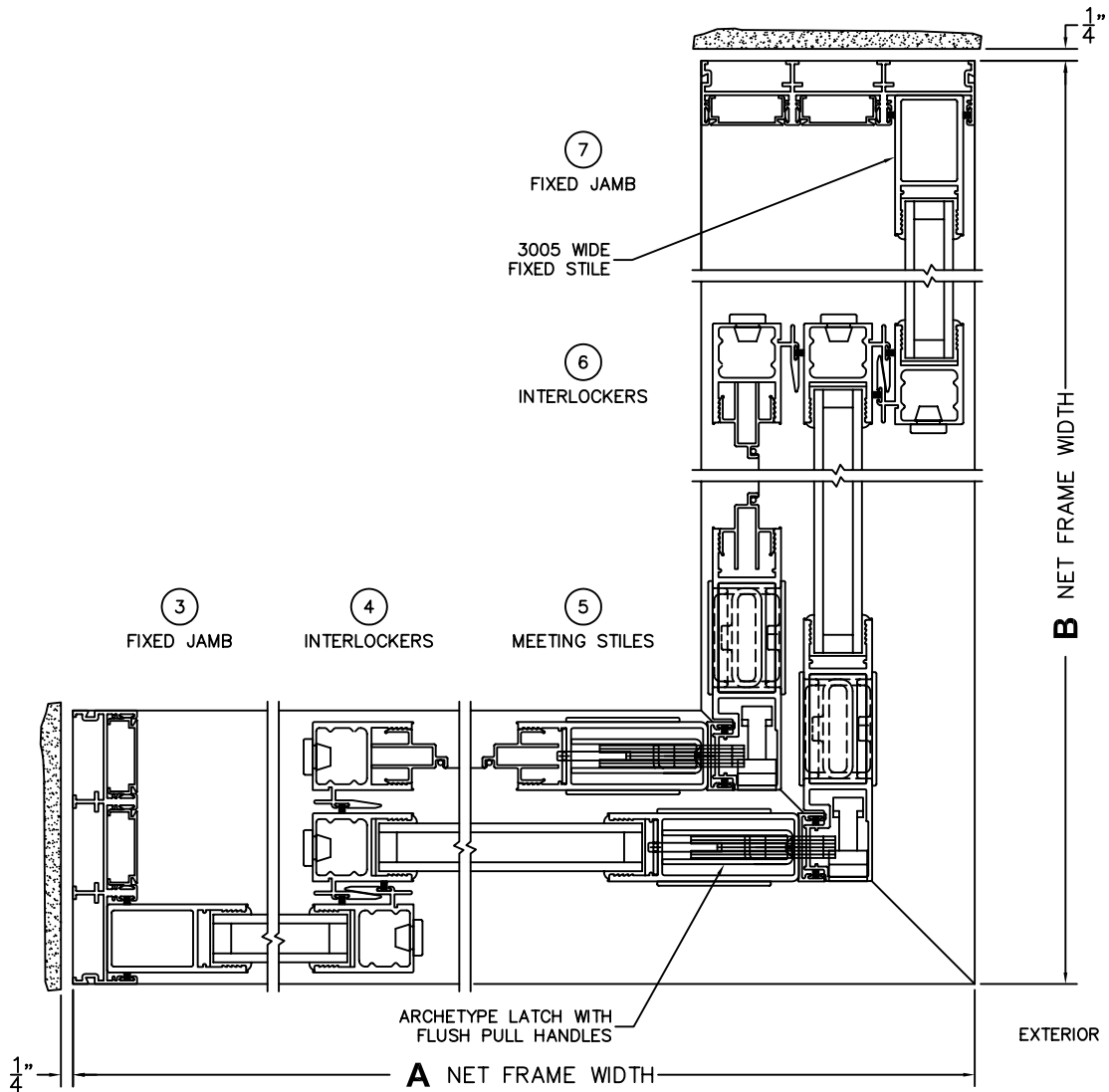
# NORWOOD 3050

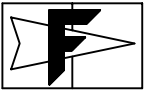
90°OXIXO STANDARD CONFIGURATION  
HIDDEN TRACK WITH SCREENS

ORDER NO.:

ITEM NO.:

SCALE: 1/4





**FLEETWOOD**  
WINDOWS & DOORS  
FleetwoodUSA.com

**NORWOOD 3050**

90°OXIXO STANDARD CONFIGURATION  
HIDDEN TRACK WITH SCREENS

ORDER NO.:

ITEM NO.:

SCALE: 1/4

NON-FLUSH STACK:  
PANELS IN OPEN POSITION

