

FLEETWOOD
WINDOWS & DOORS
FleetwoodUSA.com

NORWOOD 3050

90°IPXXXIXXP CUSTOM CONFIGURATION
HIDDEN TRACK WITH SCREENS

ORDER NO.:

ITEM NO.:

SCALE: 1/4

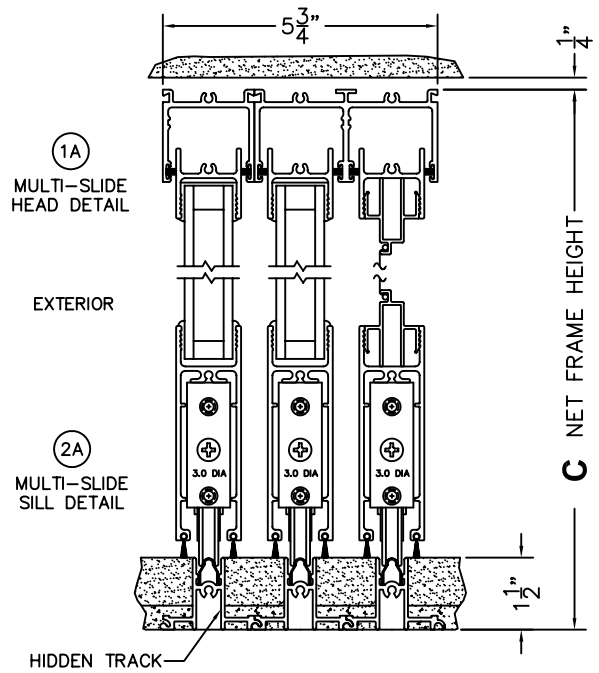
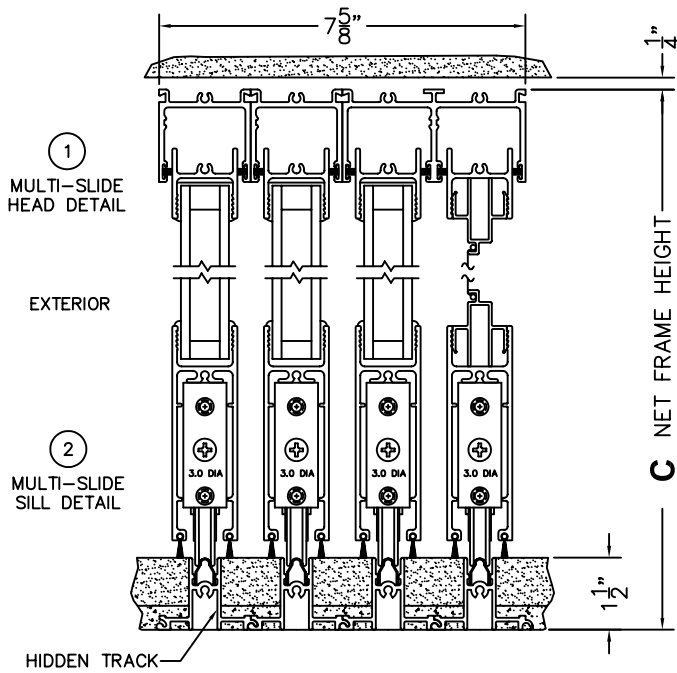
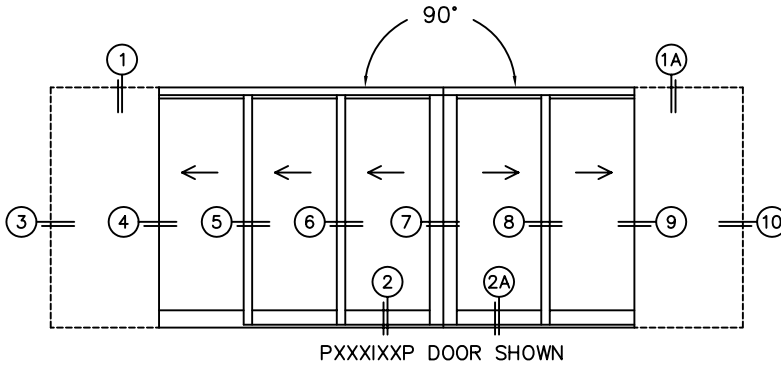
REQUIRED DEALER INFO.

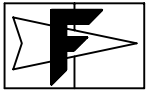
A (DAYLIGHT WIDTH)	
B (DAYLIGHT WIDTH)	
C (NET FRAME HEIGHT)	

CALCULATED VALUES (FLEETWOOD SUPPLIED)

D (POCKET WIDTH)	
E (NET FRAME WIDTH)	
F (POCKET WIDTH)	
G (NET FRAME WIDTH)	

NOTES:





FLEETWOOD
WINDOWS & DOORS
FleetwoodUSA.com

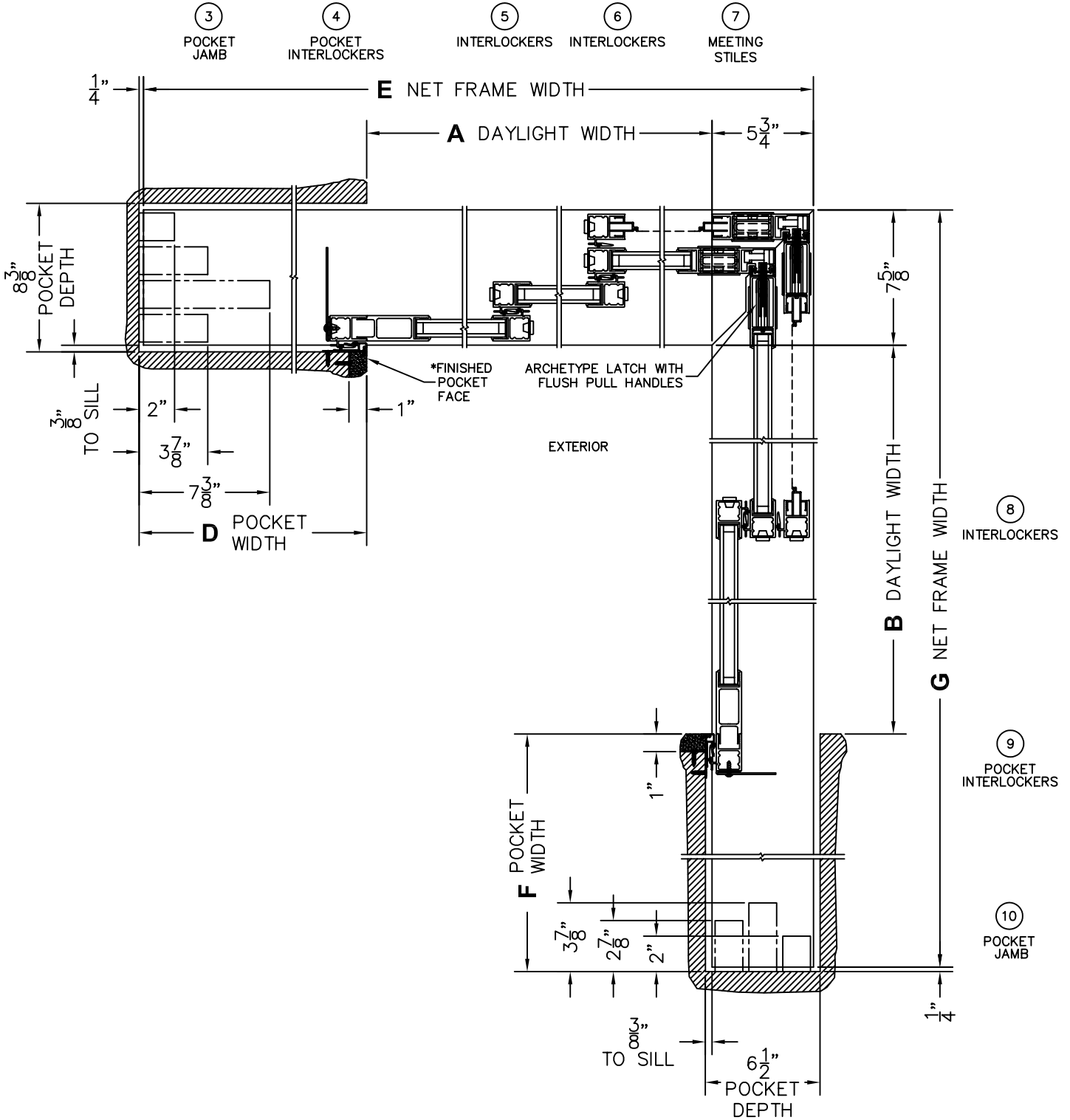
NORWOOD 3050

90°IPXXXIXXP CUSTOM CONFIGURATION
HIDDEN TRACK WITH SCREENS

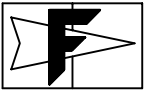
ORDER NO.:

ITEM NO.:

SCALE: 1/8



*CAUTION: WHEN CONSTRUCTING POCKET NOTE THAT DAYLIGHT WIDTH DOES NOT INCLUDE 1" SET BACK FOR POST INTERLOCKER.



FLEETWOOD
WINDOWS & DOORS
FleetwoodUSA.com

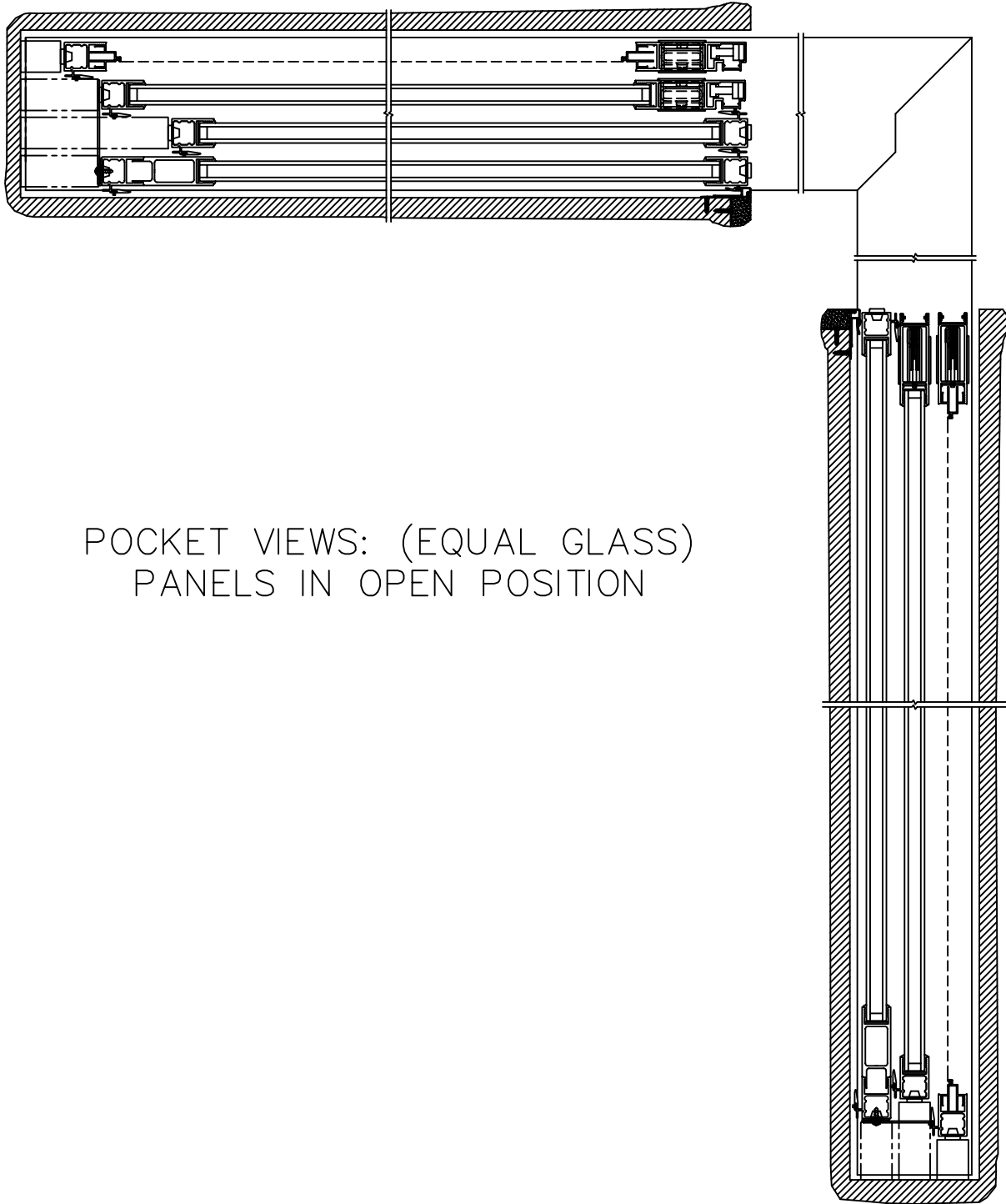
NORWOOD 3050

90°IPXXXIXXP CUSTOM CONFIGURATION
HIDDEN TRACK WITH SCREENS

ORDER NO.:

ITEM NO.:

SCALE: 1/8



POCKET VIEWS: (EQUAL GLASS)
PANELS IN OPEN POSITION