



FLEETWOOD
WINDOWS & DOORS
FleetwoodUSA.com

NORWOOD 3050
90°IPXIXXP STANDARD CONFIGURATION
NO SCREENS

ORDER NO.:

ITEM NO.:

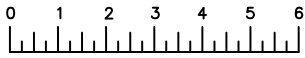
REQUIRED DEALER INFO.

| | |
|-----------------------------|--|
| A (DAYLIGHT WIDTH) | |
| B (DAYLIGHT WIDTH) | |
| C (NET FRAME HEIGHT) | |

CALCULATED VALUES (FLEETWOOD SUPPLIED)

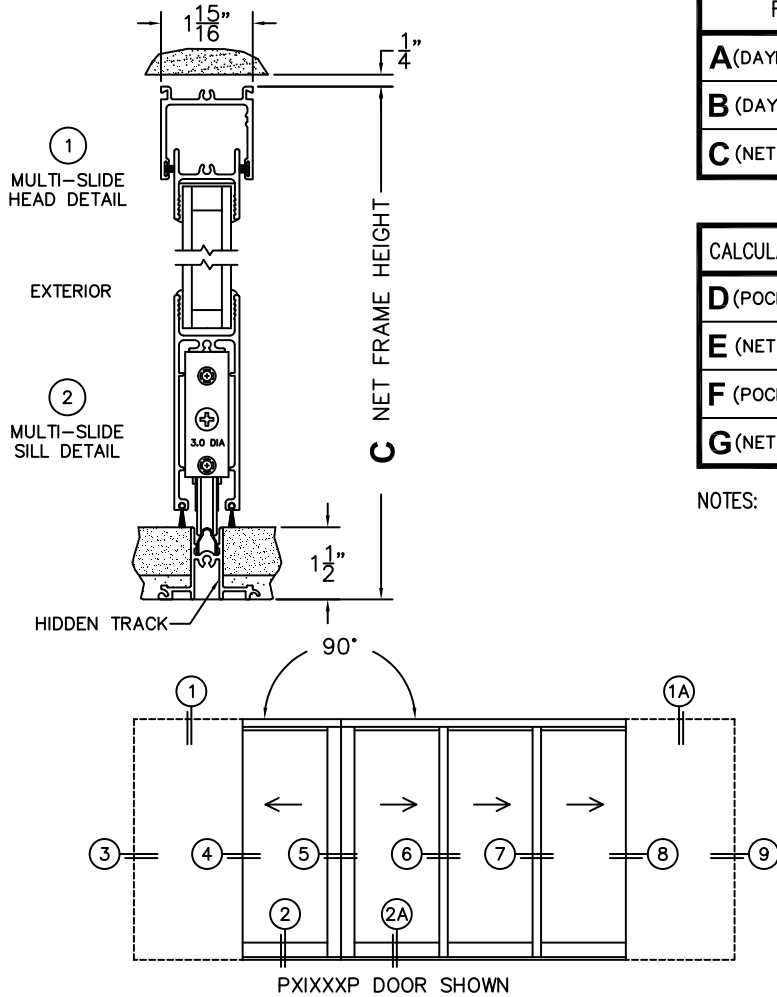
| | |
|----------------------------|--|
| D (POCKET WIDTH) | |
| E (NET FRAME WIDTH) | |
| F (POCKET WIDTH) | |
| G (NET FRAME WIDTH) | |

NOTES:



(USE RULER TO SCALE DIMENSIONS IN INCHES)

SCALE: 1/4



PXIXXP DOOR SHOWN

