



FLEETWOOD
WINDOWS & DOORS
FleetwoodUSA.com

NORWOOD 3050
90°PXXXIXXXX STANDARD CONFIGURATION
NO SCREENS

ORDER NO.:

ITEM NO.:

REQUIRED DEALER INFO.

A(DAYLIGHT WIDTH)

B(NET FREAME WIDTH)

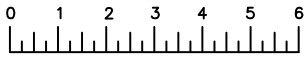
C(NET FRAME HEIGHT)

CALCULATED VALUES (FLEETWOOD SUPPLIED)

D(POCKET WIDTH)

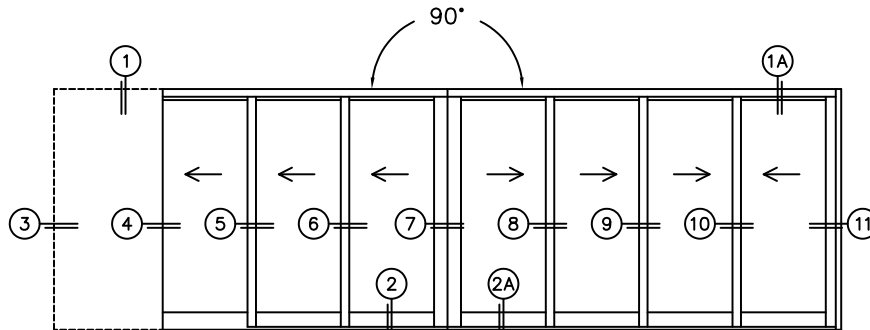
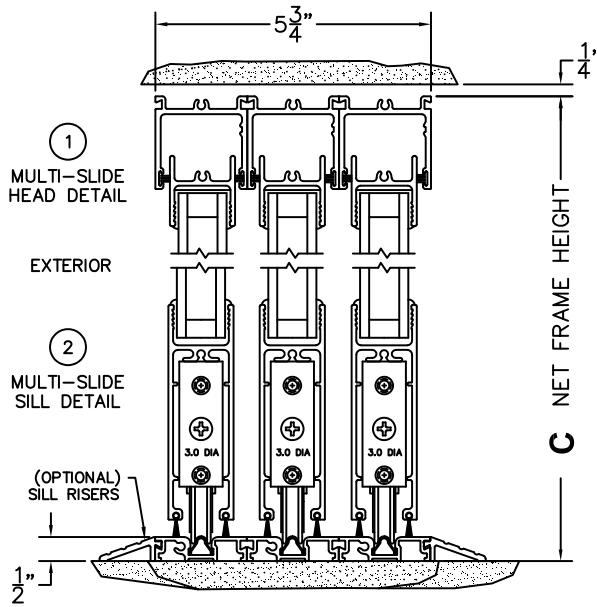
E(NET FRAME WIDTH)

NOTES:



(USE RULER TO SCALE DIMENSIONS IN INCHES)

SCALE: 1/4



PXXXIXXXX DOOR SHOWN

