

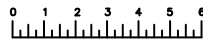


FLEETWOOD
WINDOWS & DOORS
FleetwoodUSA.com

NORWOOD 3050
135°PXXIXP CUSTOM CONFIGURATION
NO SCREENS

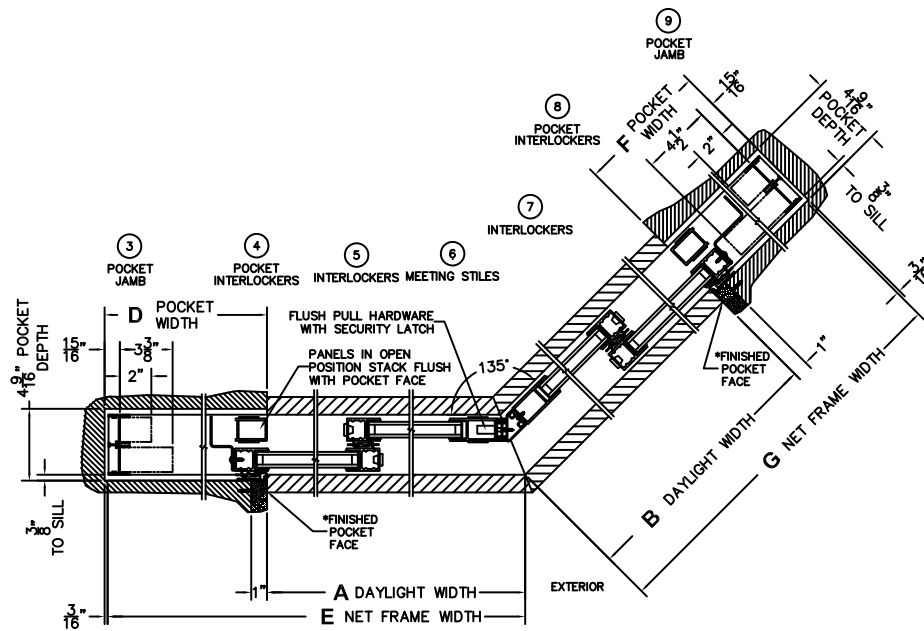
ORDER NO.:

ITEM NO.:



(USE RULER TO SCALE DIMENSIONS IN INCHES)

SCALE: 1/8



*CAUTION: WHEN CONSTRUCTING POCKET
NOTE THAT DAYLIGHT WIDTH DOES NOT
INCLUDE 1" SET BACK FOR POST INTERLOCKER.