

LESS THAN 90° OUTSIDE CORNER WINDOW: NAIL-FIN FRAMES

250-T, 450-T, 530-T, 3800-T & 4800-T

U:\Cadfiles_Admin\Products\Windows

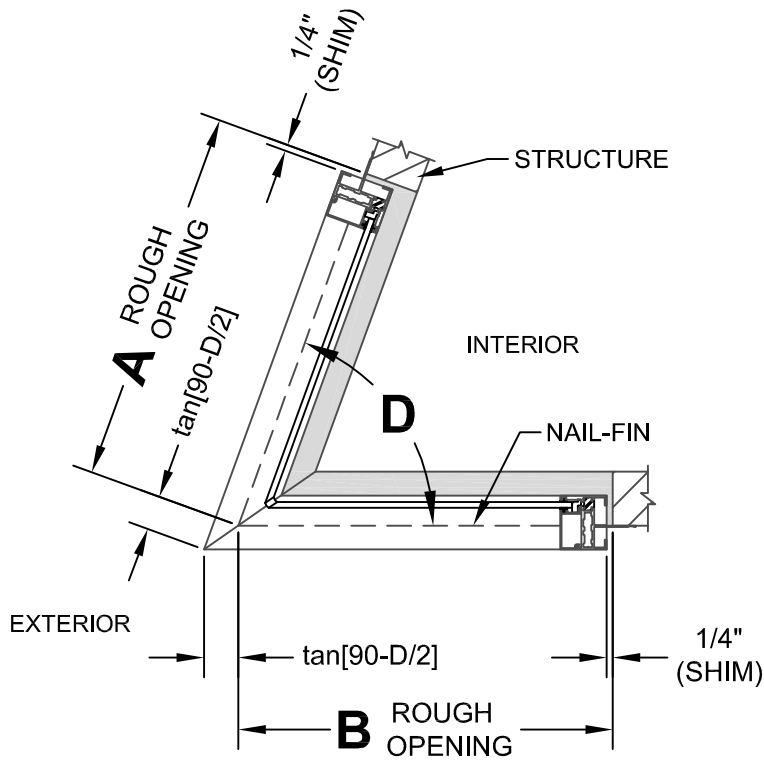
CUSTOMER:

ORDER NO.:

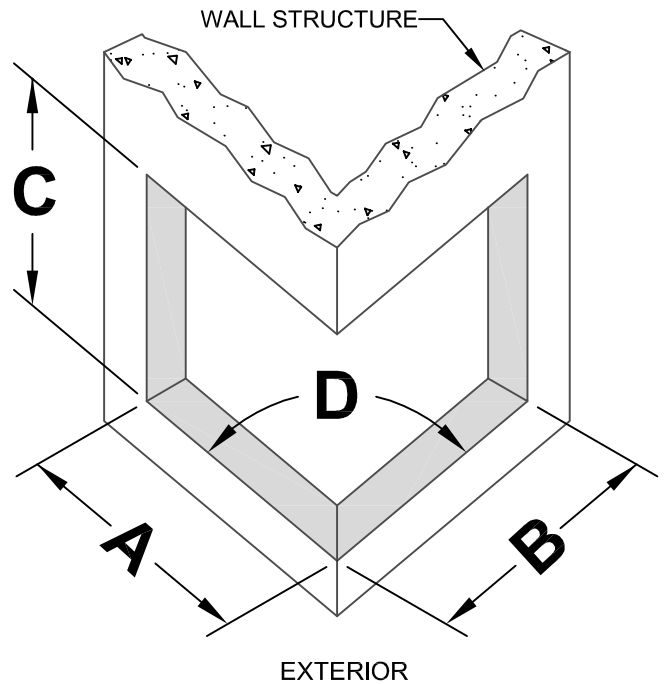
SERIES:

ITEM NO.:

PLAN VIEW
SERIES 250-T SHOWN



ISOMETRIC VIEW
GREATER THAN 90°
OUTSIDE CORNER STRUCTURE



CUSTOMER TO FILL IN

D ANGLE: _____

†IMPORTANT: 450-T SHIM SPACE VARIES

**INSTRUCTIONS: ENTER THE (3) R.O. DIMENSIONS AND (1) ANGLE
IN THE TABLES. ENTER BUILDING EXTERIOR DIMENSIONS ONLY!**

CUSTOMER TO FILL IN		FLEETWOOD TO FILL IN	
DIM. REF.	CUSTOMER ROUGH OPENING	*FRAME ADD AND (C) SHIM DEDUCT	FLEETWOOD NET FRAME DIMENSION
A		+ *	=
B		+ *	=
C		- .50 [†]	=

ENG. REF.: $\tan[90-D/2] - (1/4" \text{ SHIM}) = \text{*FRAME ADD}$

CUSTOMER SIGNATURE:

DATE: