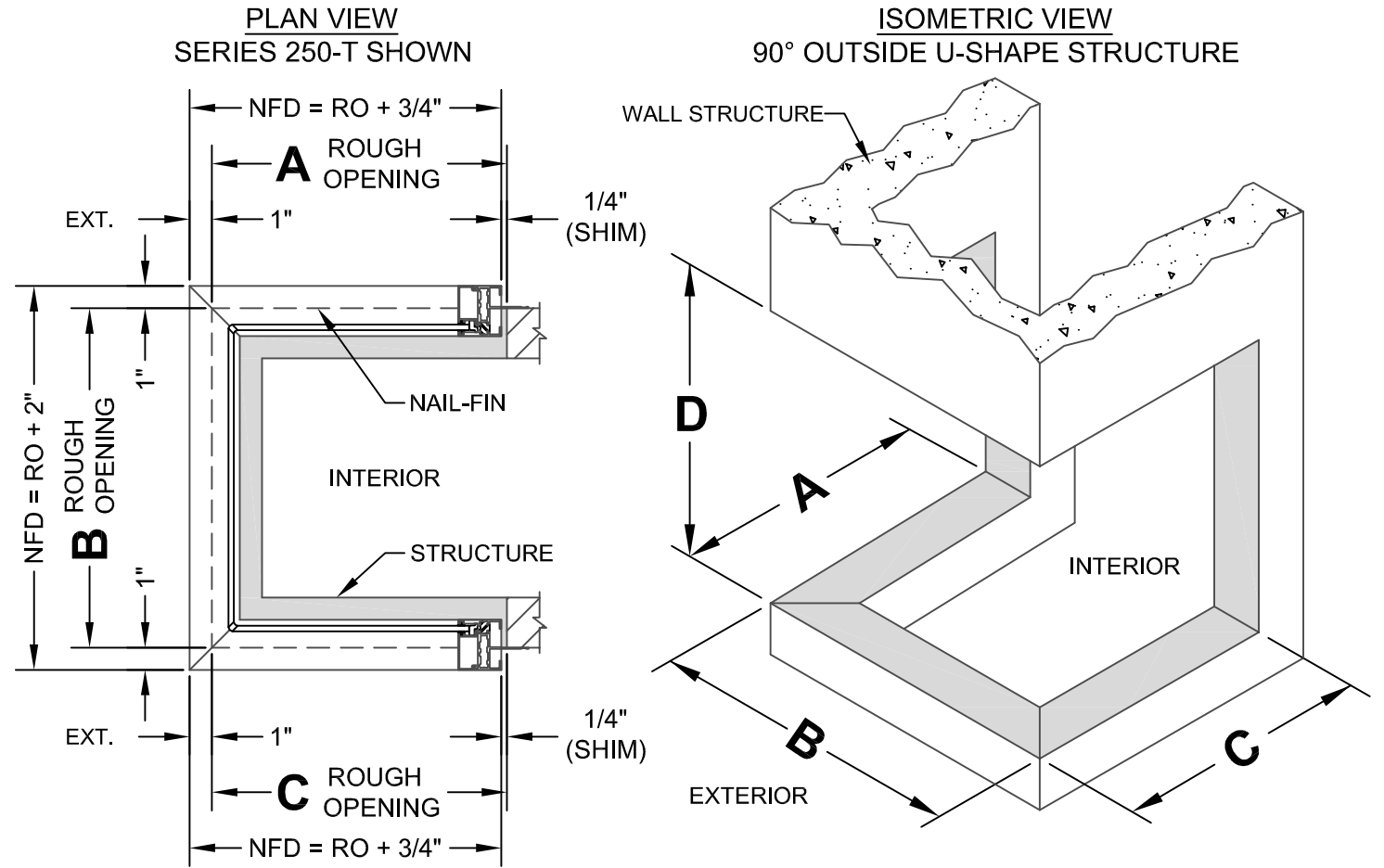


CUSTOMER:	ORDER NO.:
SERIES:	ITEM NO.:



**\*IMPORTANT: 450-T SHIM SPACE VARIES**

**INSTRUCTIONS: ENTER THE (4) RO (ROUGH OPENING) DIMENSIONS IN THE TABLE AND CALCULATE REQUIRED N.F.D. BELOW. ENTER BUILDING EXTERIOR DIMENSIONS ONLY!**

DIM. REF.	CUSTOMER ROUGH OPENING		FRAME ADD (A, B, C) AND SHIM DEDUCT (D)		FLEETWOOD NET FRAME DIMENSION
<b>A</b>		+	.75*	=	
<b>B</b>		+	2.00	=	
<b>C</b>		+	.75*	=	
<b>D</b>		-	.50*	=	

CUSTOMER SIGNATURE:	DATE:
---------------------	-------