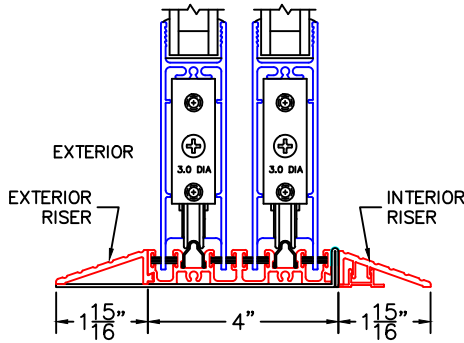


(USE RULER TO SCALE DIMENSIONS IN INCHES)
SCALE: 1/4

OPTIONAL SILL RISERS

①

EXTERIOR / INTERIOR RISERS

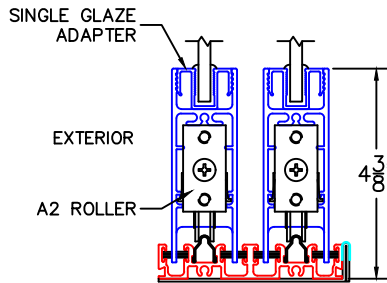


OPTIONS AND UPGRADES

A2 ROLLER OPTION AND SINGLE GLAZE OPTION

②

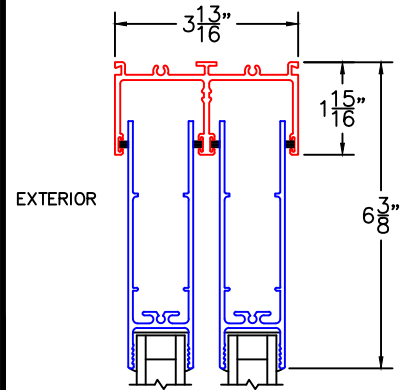
A2 ROLLER AND 1/4" SINGLE GLAZING



BOTTOM RAIL USED AS TOP RAIL (A3 SHOWN, A2 AVAILABLE)

③

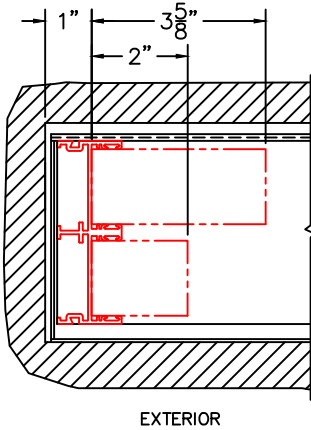
TWO TRACK HEAD SHOWN



POCKET WALL OPTIONS

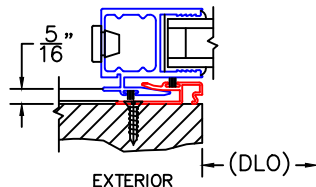
④

OPTIONAL POCKET JAMB WITH HEAD BUMPERS



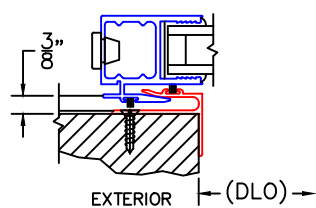
⑤

J-POST POCKET INTERLOCKER



⑥

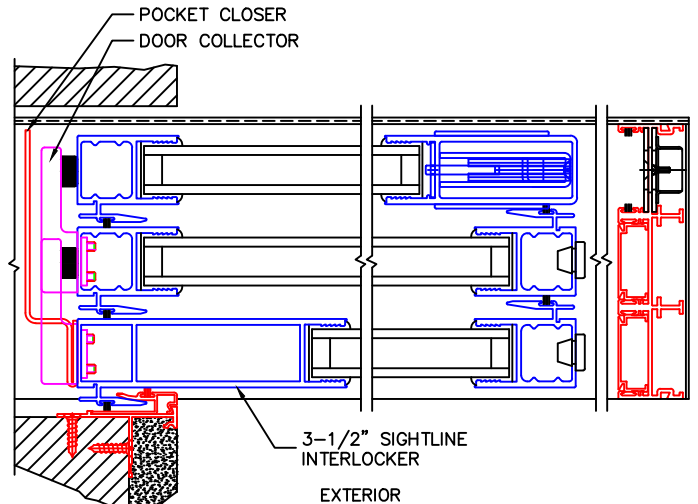
L-TYPE POCKET INTERLOCKER



DOOR COLLECTOR OPTION

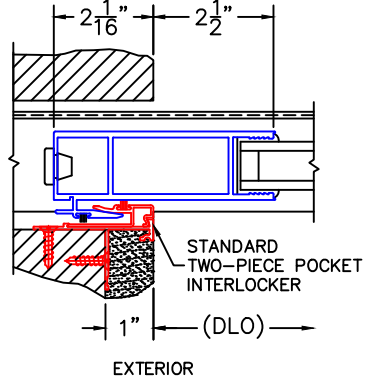
⑧

DOOR COLLECTOR W/ POCKET CLOSER



⑦

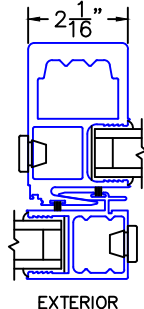
2-1/2" POCKET SIGHTLINE INTERLOCKER



INTERLOCKER OPTIONS

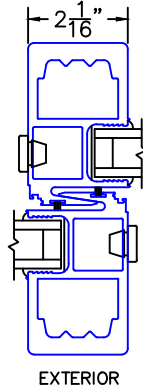
⑨

HP INTERLOCKERS (STD)



⑨A

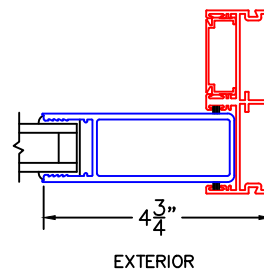
HP INTERLOCKERS (BOTH)



FIXED STILE OPTIONS

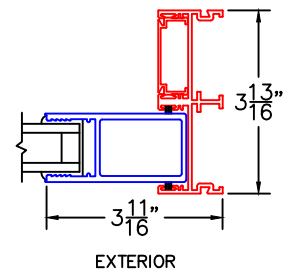
⑩

ARCHETYPE FIXED STILE



⑩A

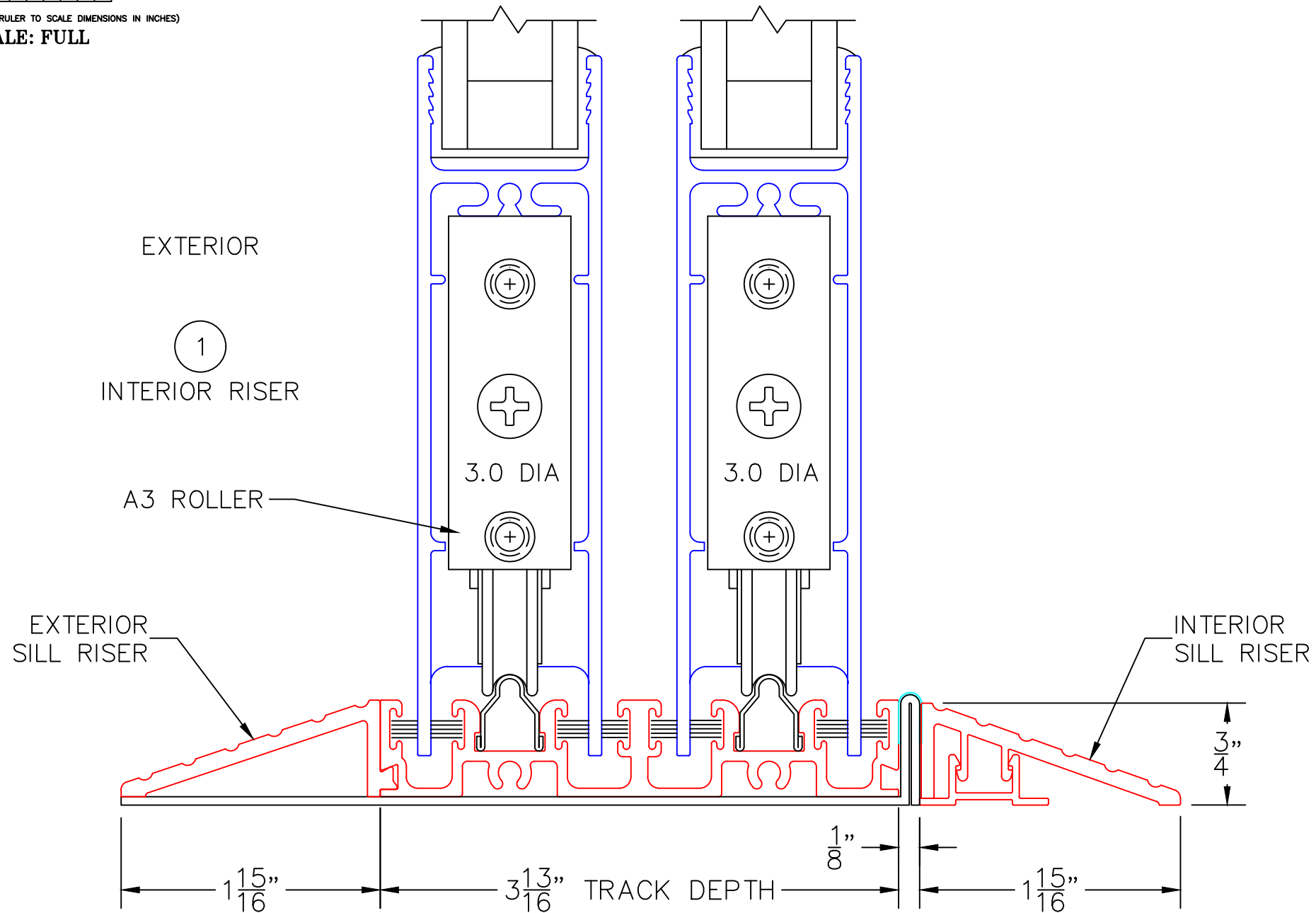
ARCHETYPE NARROW FIXED STILE



GLASS PENETRATION: 11/16"

OPTIONAL SILL RISERS

0 0.5 1
(USE RULER TO SCALE DIMENSIONS IN INCHES)
SCALE: FULL

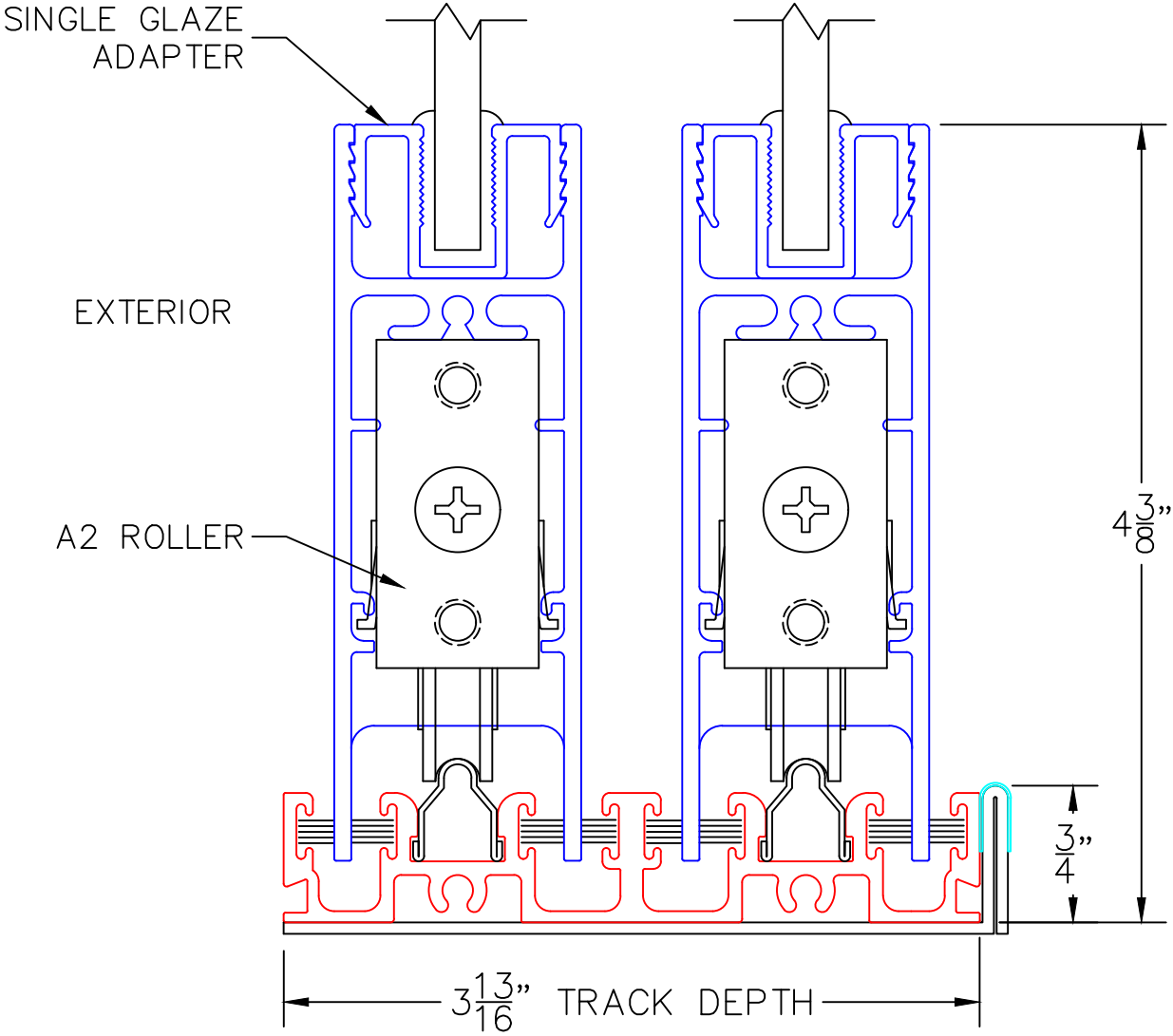


0 0.5 1
(USE RULER TO SCALE DIMENSIONS IN INCHES)
SCALE: FULL

A2 ROLLER AND
SINGLE GLAZE OPTION

2

A2 ROLLER AND
1/4" SINGLE GLAZING

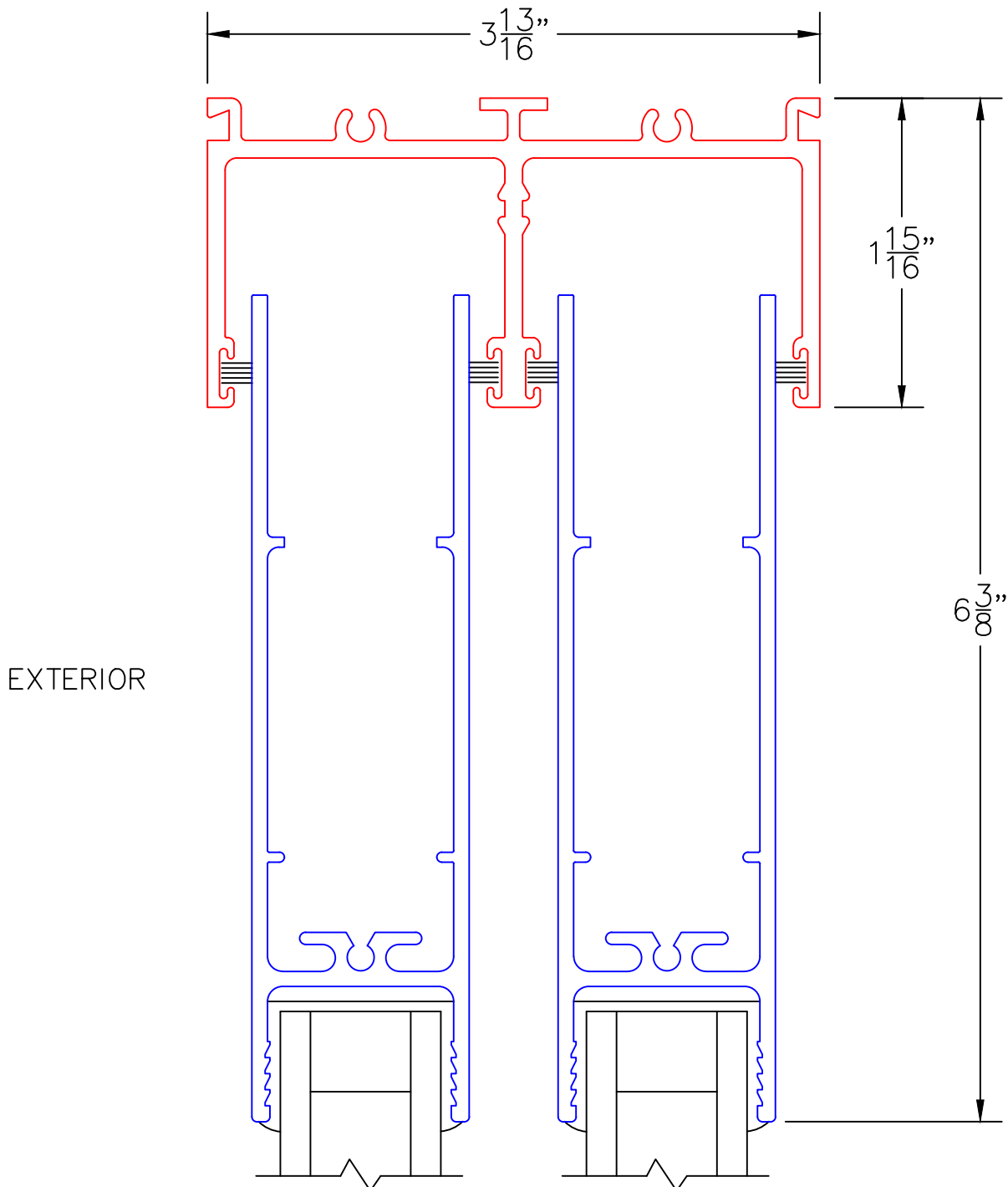


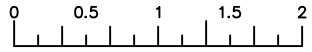
0 0.5 1
(USE RULER TO SCALE DIMENSIONS IN INCHES)
SCALE: FULL

BOTTOM RAIL AS TOP
RAIL OPTION

3

A3 BOTTOM RAIL SHOWN,
A2 BOTTOM RAIL AVAILABLE

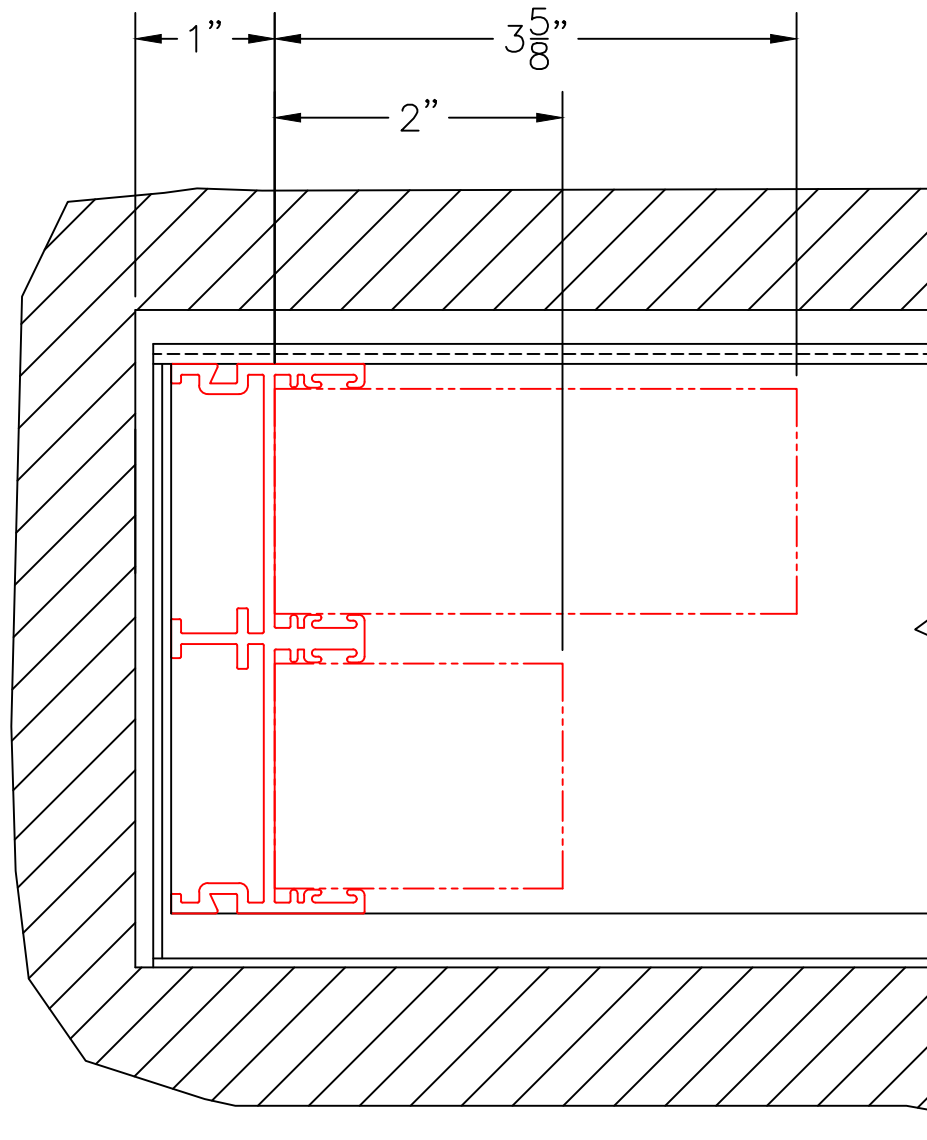




(USE RULER TO SCALE DIMENSIONS IN INCHES)

SCALE: 3/4

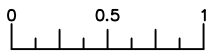
POCKET WALL OPTIONS



4

OPTIONAL POCKET JAMB
WITH HEAD BUMPERS

EXTERIOR



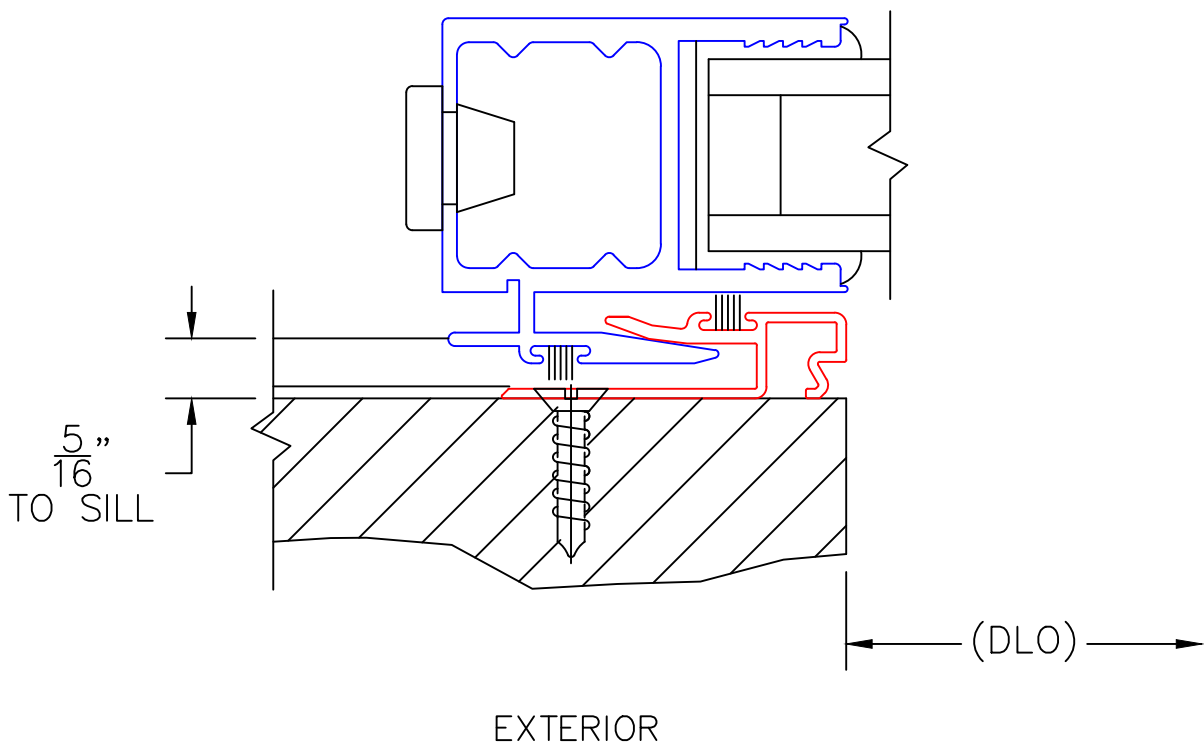
(USE RULER TO SCALE DIMENSIONS IN INCHES)

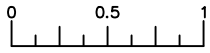
SCALE: FULL

POCKET WALL OPTIONS

5

J-POST POCKET
INTERLOCKER





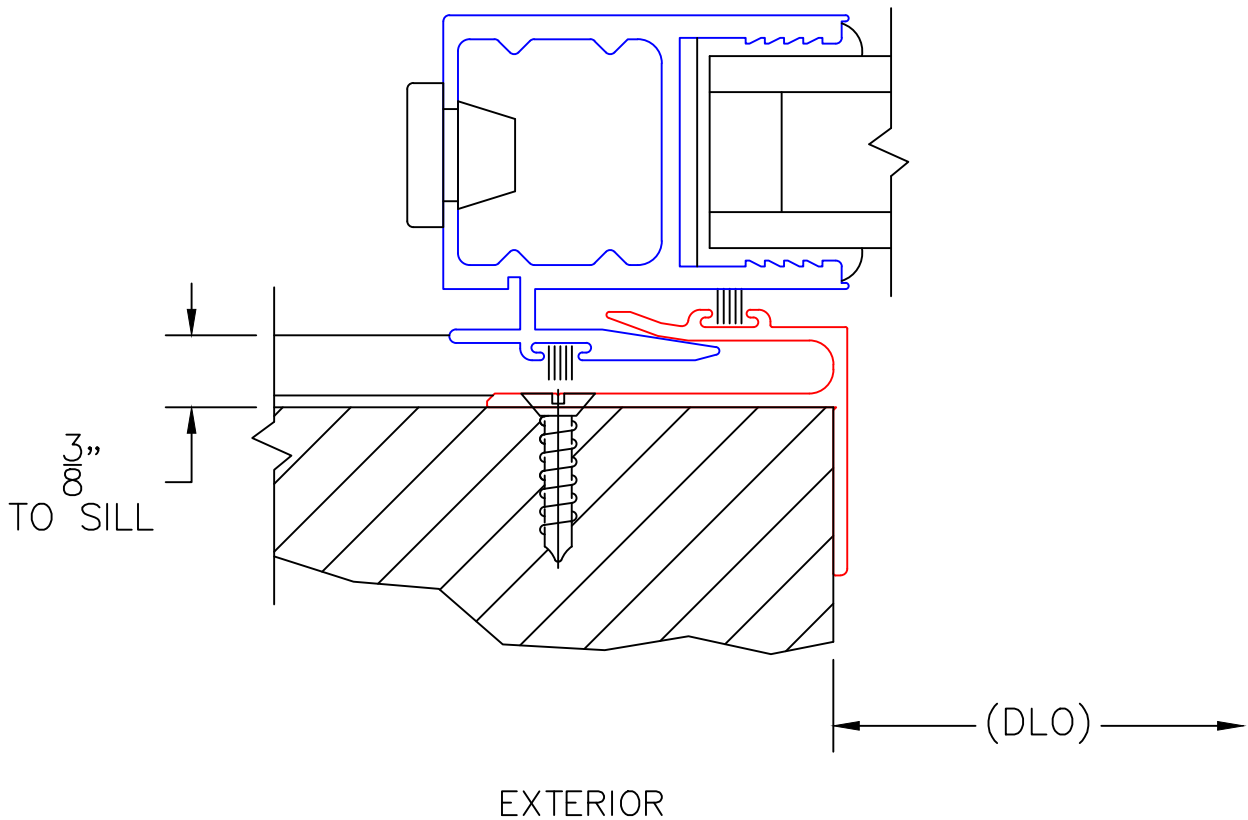
(USE RULER TO SCALE DIMENSIONS IN INCHES)

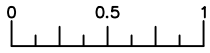
SCALE: FULL

POCKET WALL OPTIONS

6

L-TYPE POCKET
INTERLOCKER





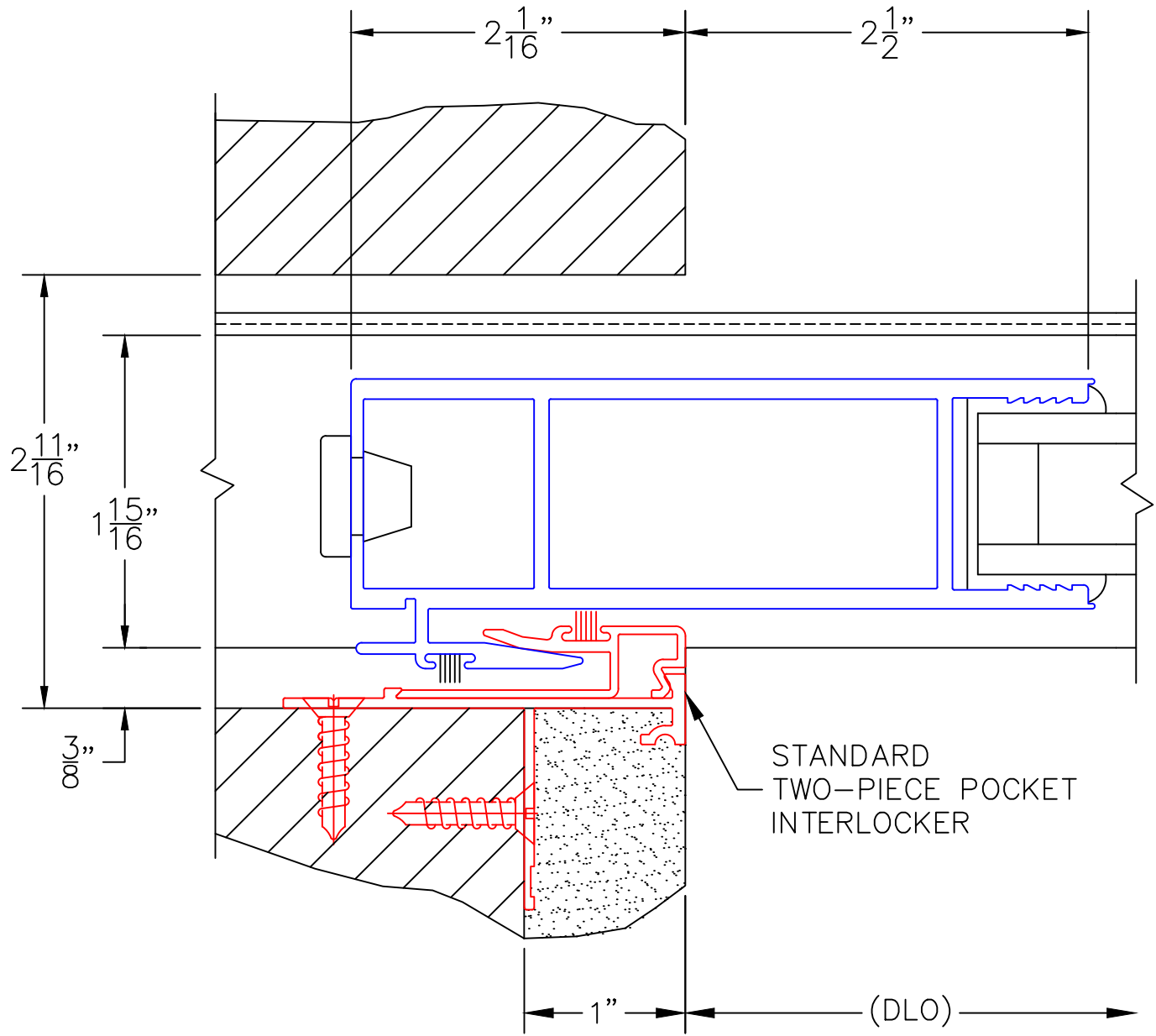
(USE RULER TO SCALE DIMENSIONS IN INCHES)

SCALE: FULL

POCKET WALL OPTIONS

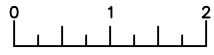
7

2-1/2" POCKET
SIGHTLINE INTERLOCKER



EXTERIOR

DOOR COLLECTOR OPTION

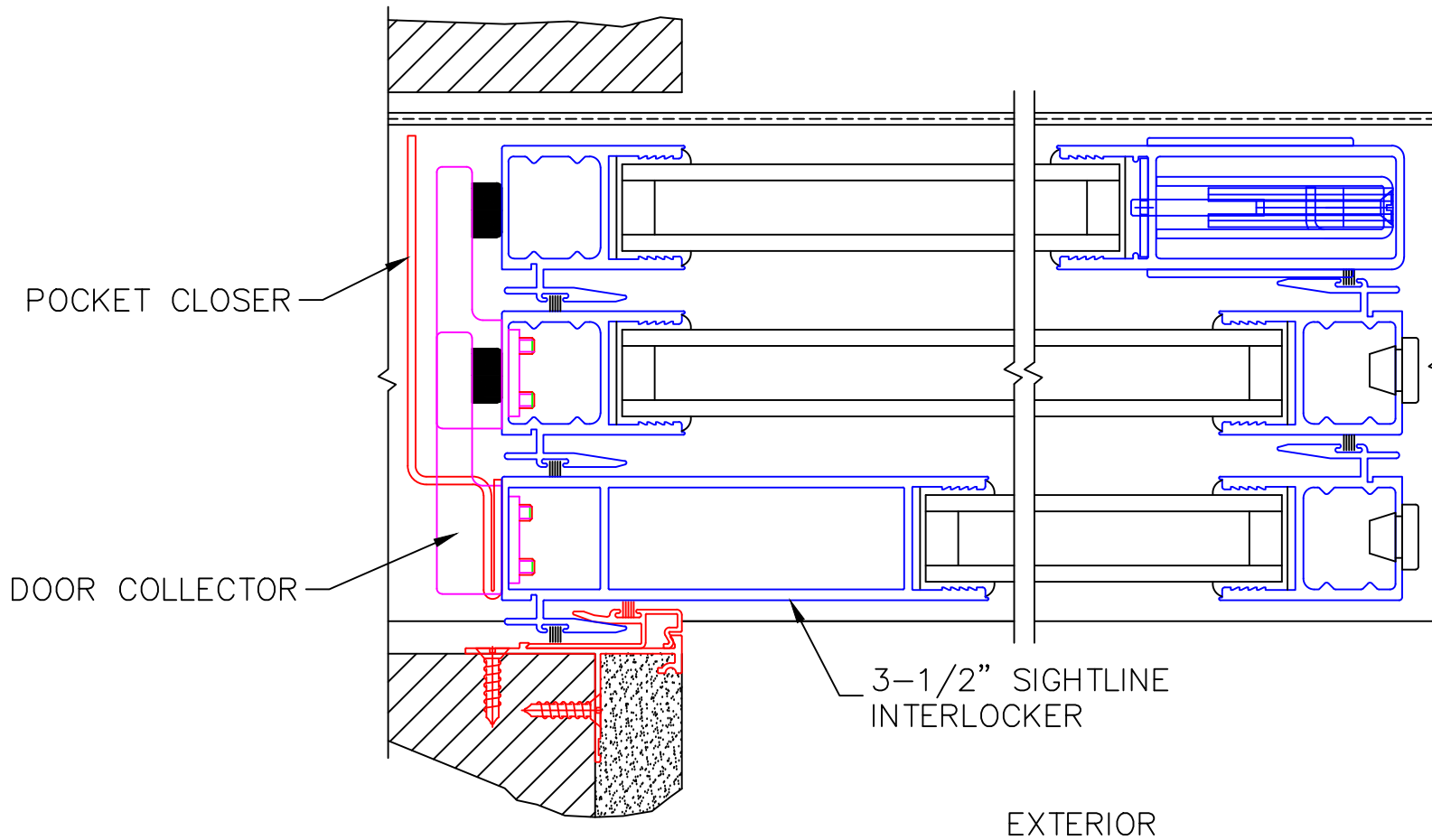


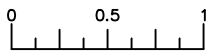
(USE RULER TO SCALE DIMENSIONS IN INCHES)

SCALE: HALF

8

DOOR COLLECTOR
W/ POCKET CLOSER





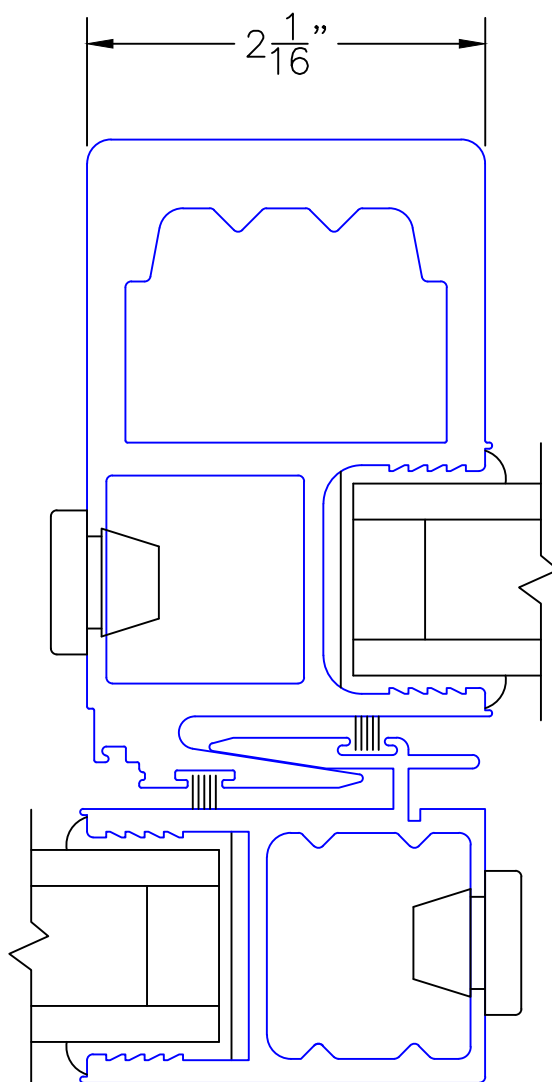
(USE RULER TO SCALE DIMENSIONS IN INCHES)

SCALE: FULL

HIGH PERFORMANCE
INTERLOCKERS

9

HP INTERLOCKERS
(ONE SIDE-STD)



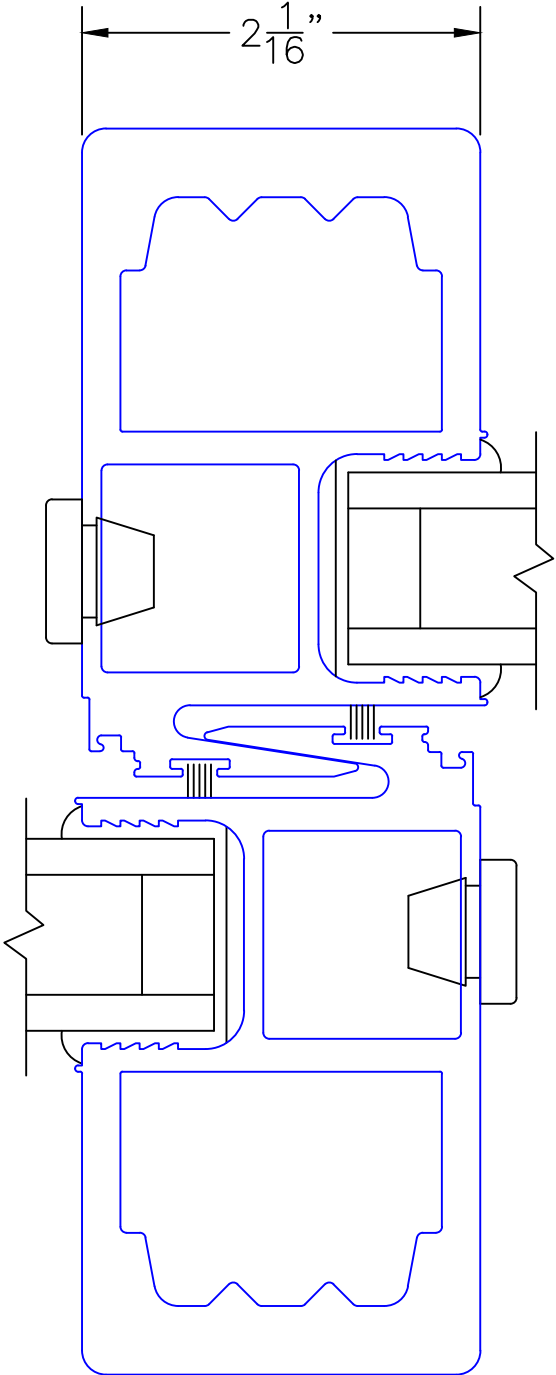
EXTERIOR

0 0.5 1
(USE RULER TO SCALE DIMENSIONS IN INCHES)
SCALE: FULL

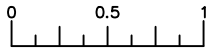
HIGH PERFORMANCE
INTERLOCKERS

9A

HP INTERLOCKERS
(BOTH SIDES)



EXTERIOR



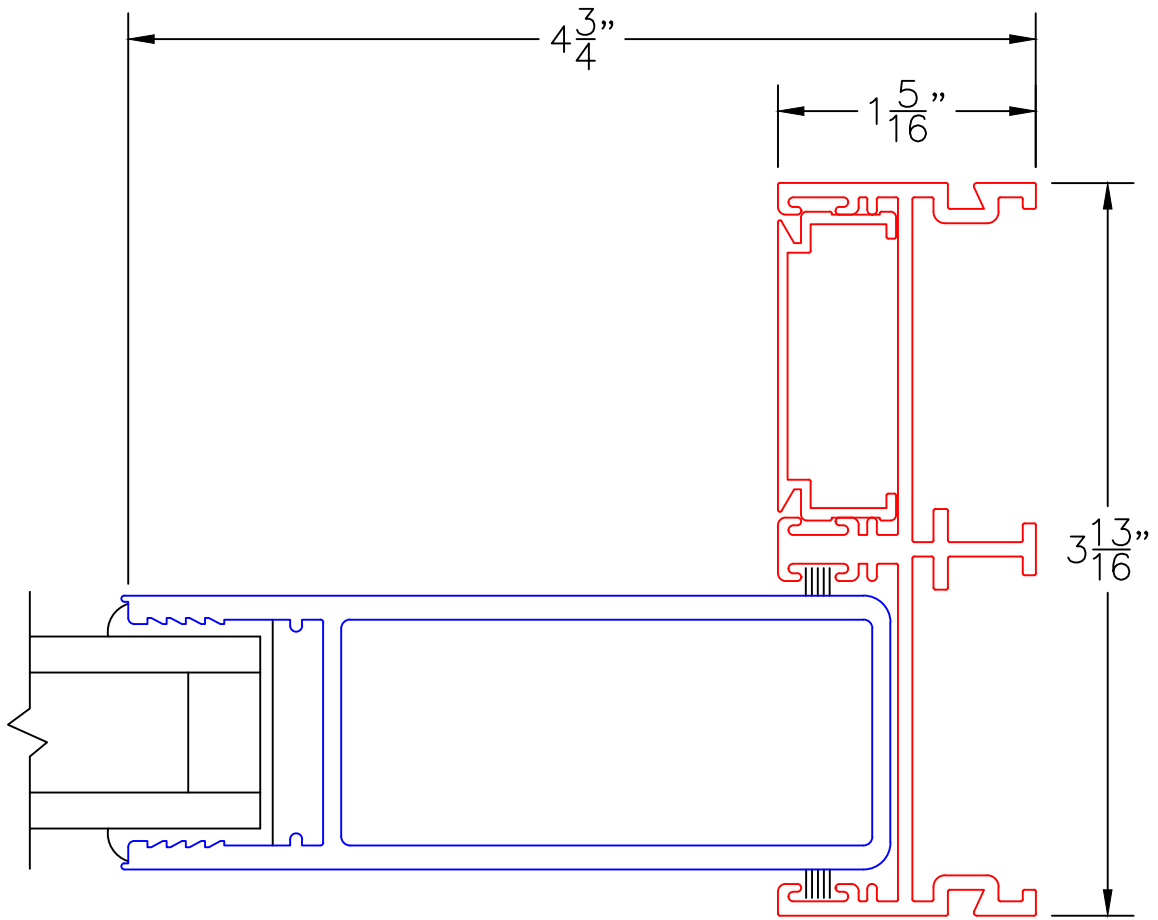
(USE RULER TO SCALE DIMENSIONS IN INCHES)

SCALE: FULL

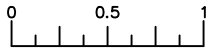
FIXED STILE OPTIONS

10

ARCHETYPE
FIXED STILE



EXTERIOR



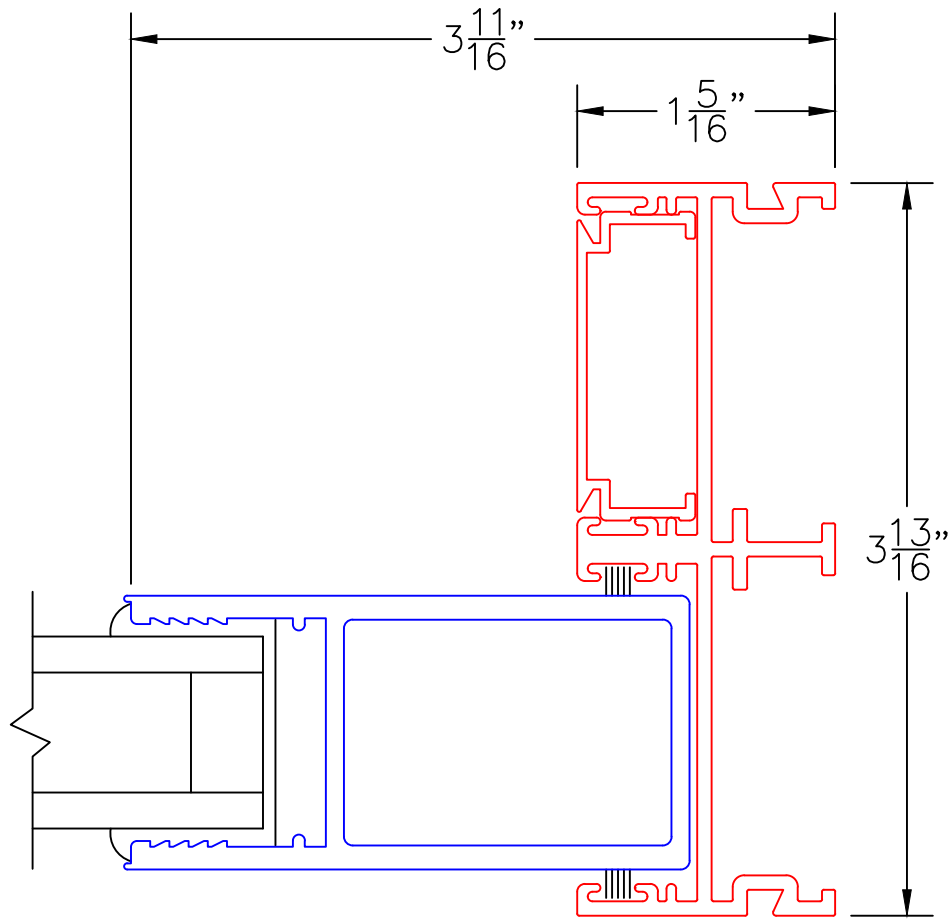
(USE RULER TO SCALE DIMENSIONS IN INCHES)

SCALE: FULL

FIXED STILE OPTIONS

(10A)

ARCHETYPE NARROW
FIXED STILE



EXTERIOR