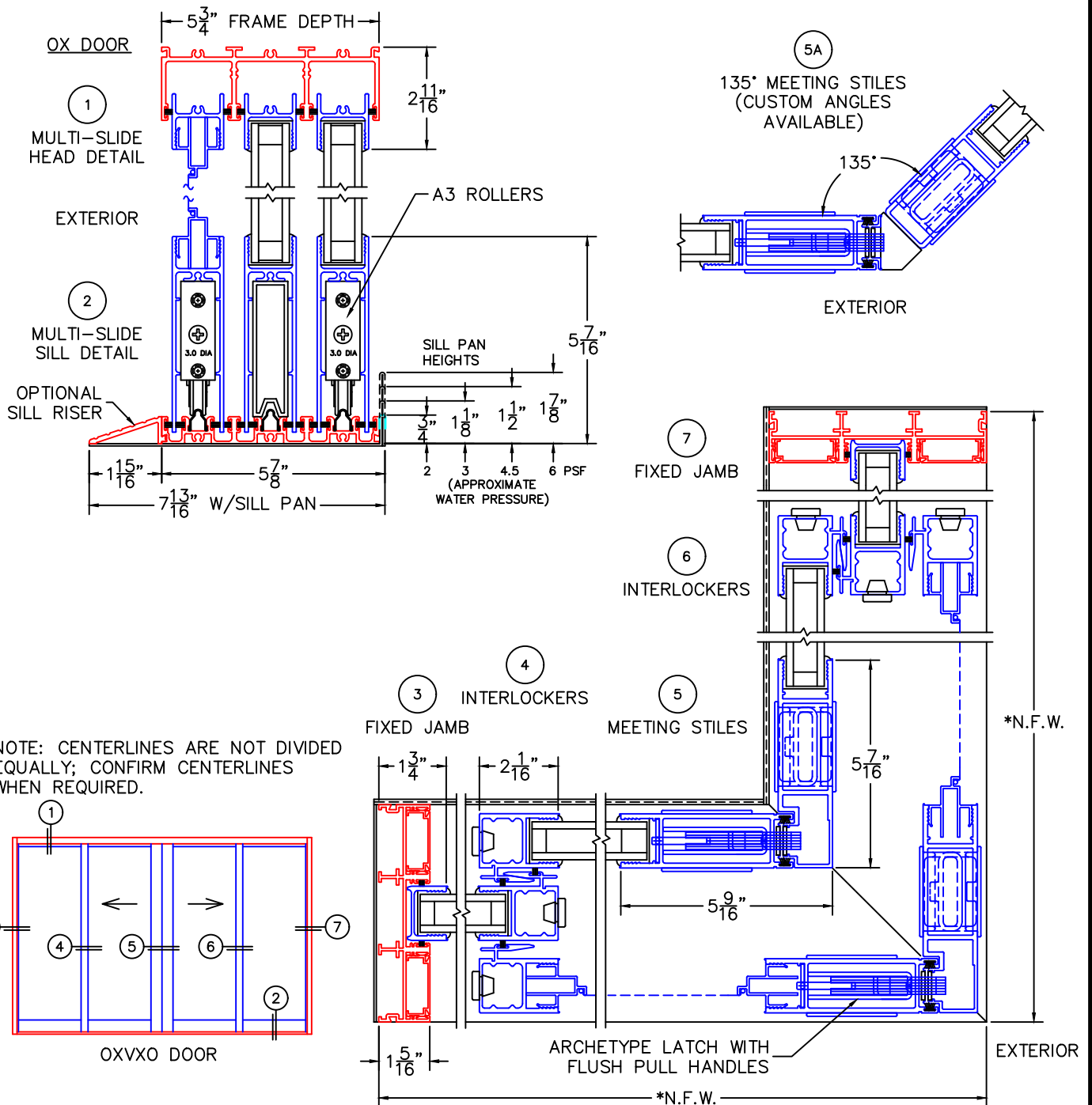
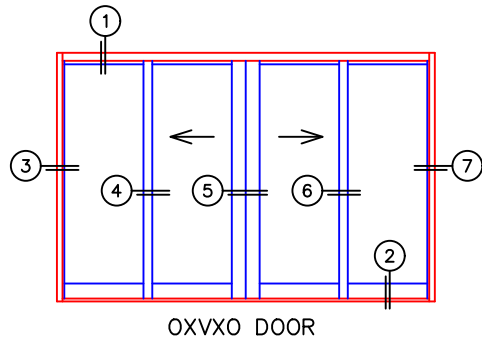


(USE RULER TO SCALE DIMENSIONS IN INCHES)
SCALE: 1/4

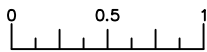
MULTI-SLIDE CORNER DOOR DETAILS WITH SCREENS



NOTE: CENTERLINES ARE NOT DIVIDED EQUALLY; CONFIRM CENTERLINES WHEN REQUIRED.



- GLASS PENETRATION: 11/16"
- *NET FRAME WIDTH DOES NOT INCLUDE SILL PAN.
- SILL PAN EXTENDS 1/8" BEYOND EACH JAMB.
- PLAN VIEW DOES NOT SHOW SILL RISER.
- FOR ADDITIONAL OPTIONS AND UPGRADES SEE DRAWINGS 3070-07, 3070-08 & 3070-11.
- EXTERIOR RATED PRODUCTS HAVE WEEP SLOTS ON HORIZONTAL SILLS.



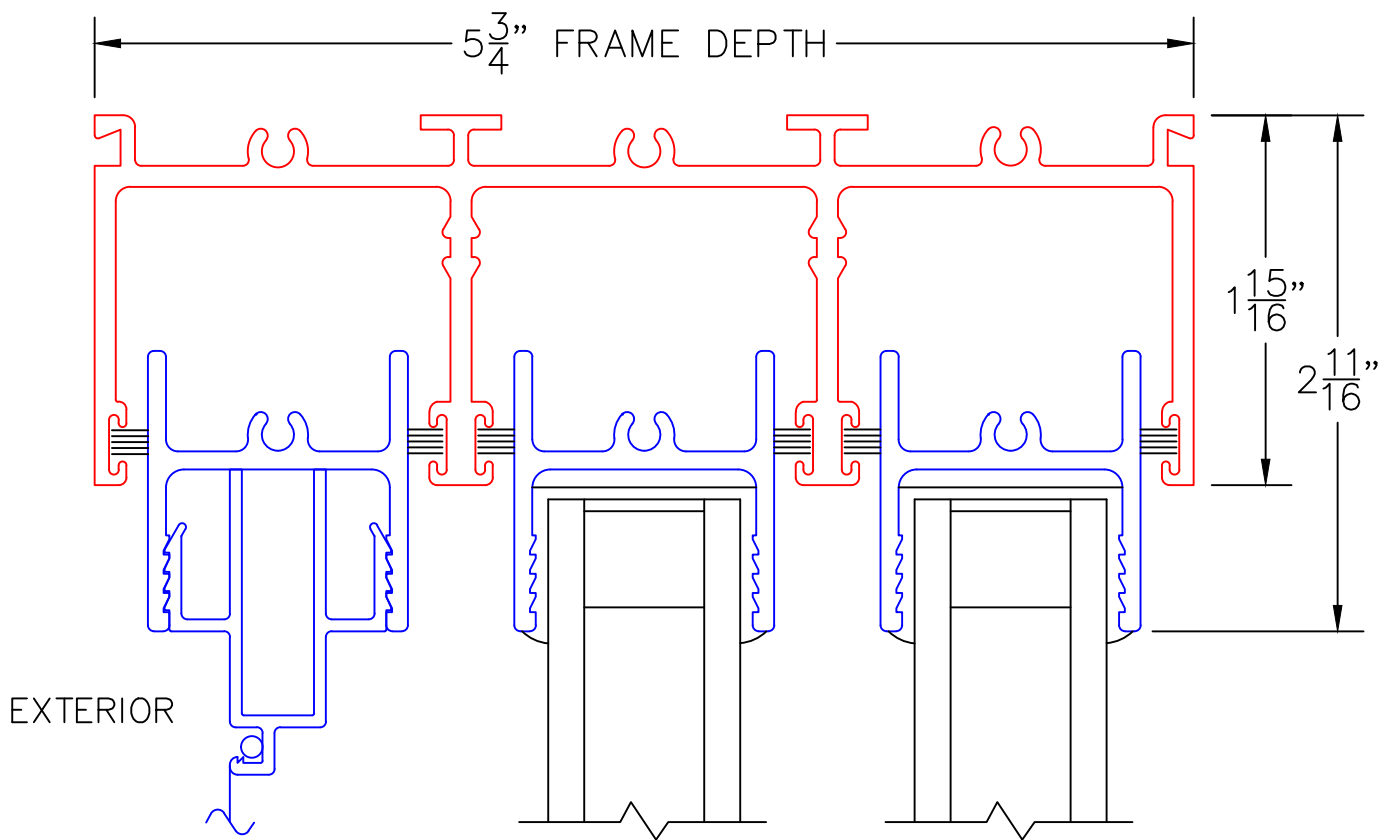
(USE RULER TO SCALE DIMENSIONS IN INCHES)

SCALE: FULL

OX DOOR

1

MULTI-SLIDE
HEAD DETAIL



0 0.5 1
(USE RULER TO SCALE DIMENSIONS IN INCHES)
SCALE: FULL

OX DOOR

EXTERIOR

②
MULTI-SLIDE
SILL DETAIL

A3 ROLLERS

3.0 DIA

3.0 DIA

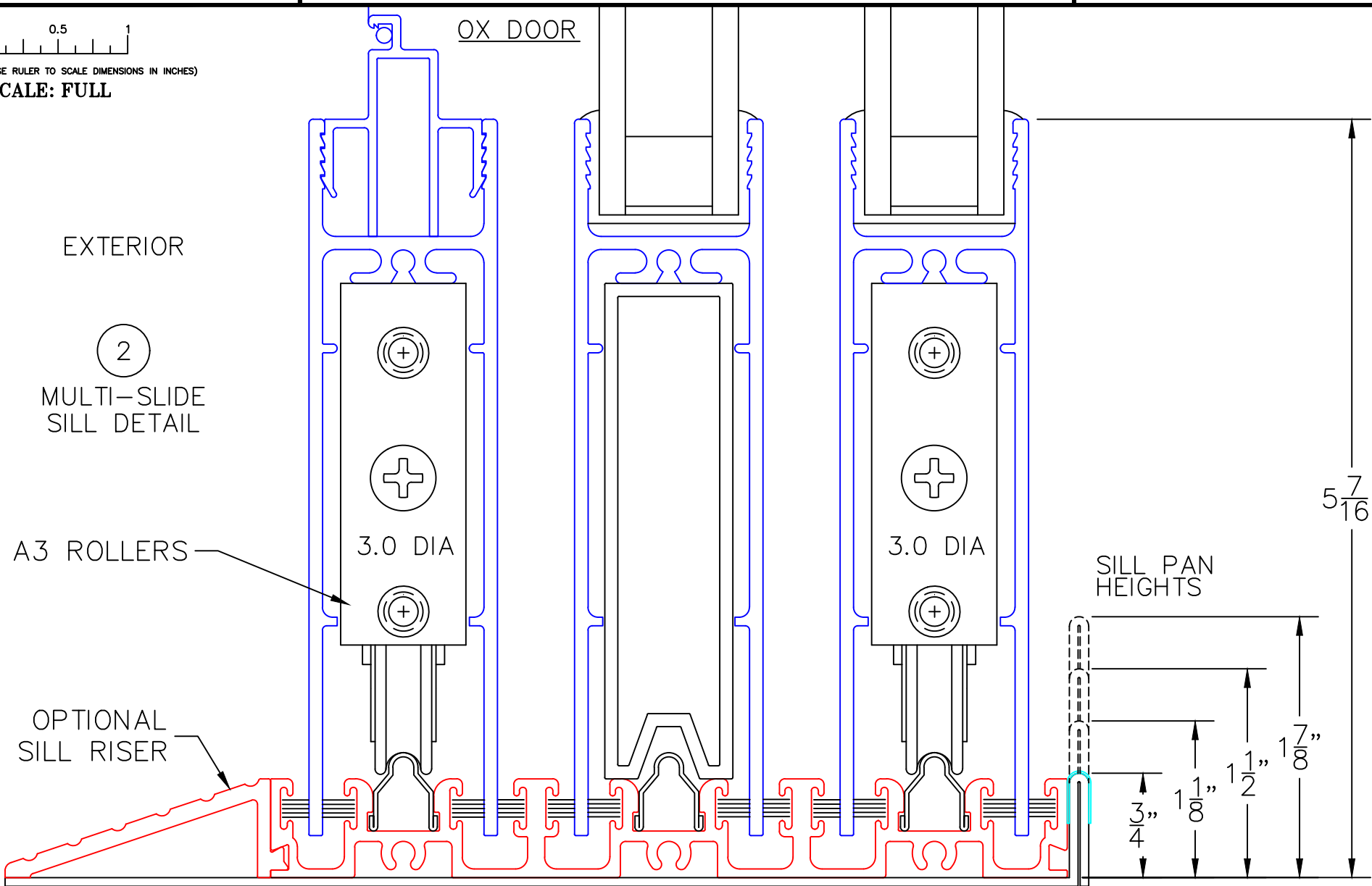
OPTIONAL
SILL RISER

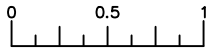
SILL PAN
HEIGHTS

$5\frac{7}{16}$ "

$\frac{3}{4}$ "
 $1\frac{1}{8}$ "
 $1\frac{1}{2}$ "
 $1\frac{7}{8}$ "

$1\frac{15}{16}$ " $5\frac{3}{4}$ " FRAME DEPTH 2 3 4.5 6 PSF
 $7\frac{13}{16}$ " SILL PAN DEPTH W/RISER (APPROXIMATE
WATER PRESSURE)





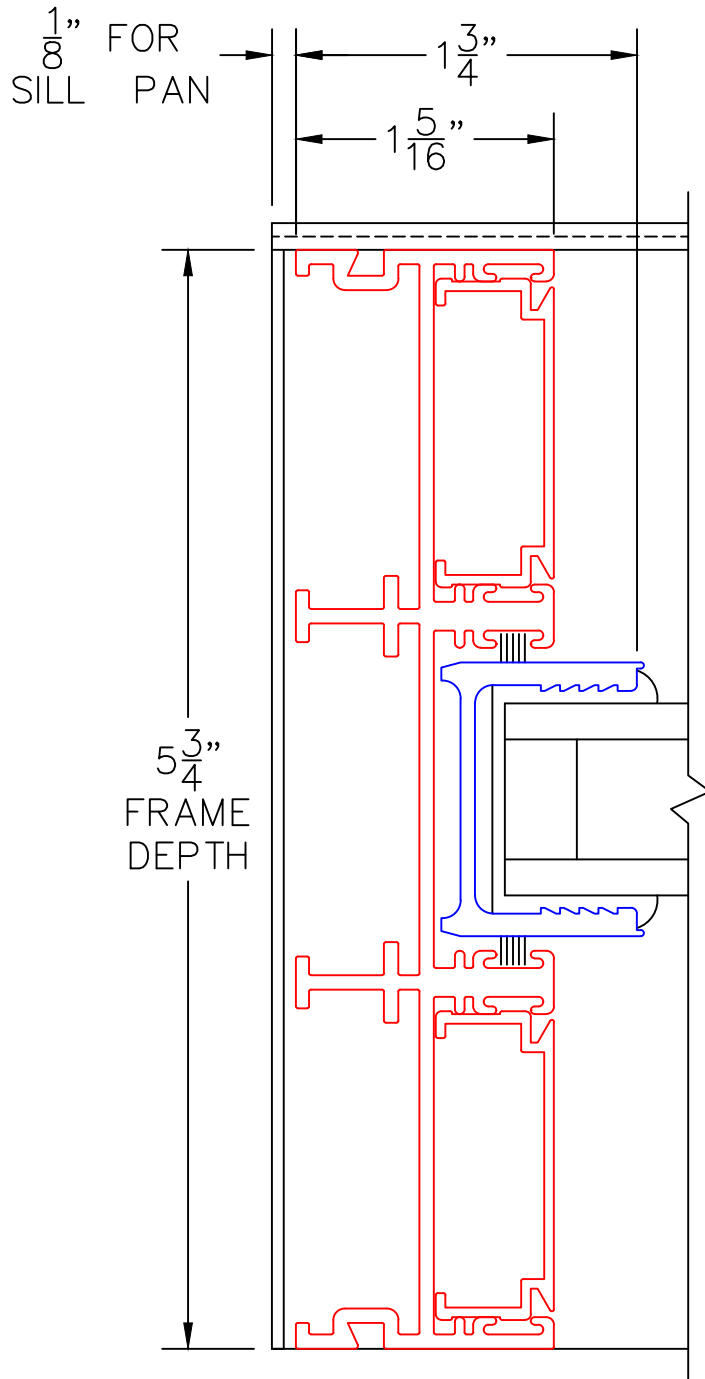
(USE RULER TO SCALE DIMENSIONS IN INCHES)

SCALE: FULL

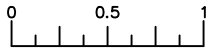
OX DOOR

3

FIXED JAMB



EXTERIOR



(USE RULER TO SCALE DIMENSIONS IN INCHES)

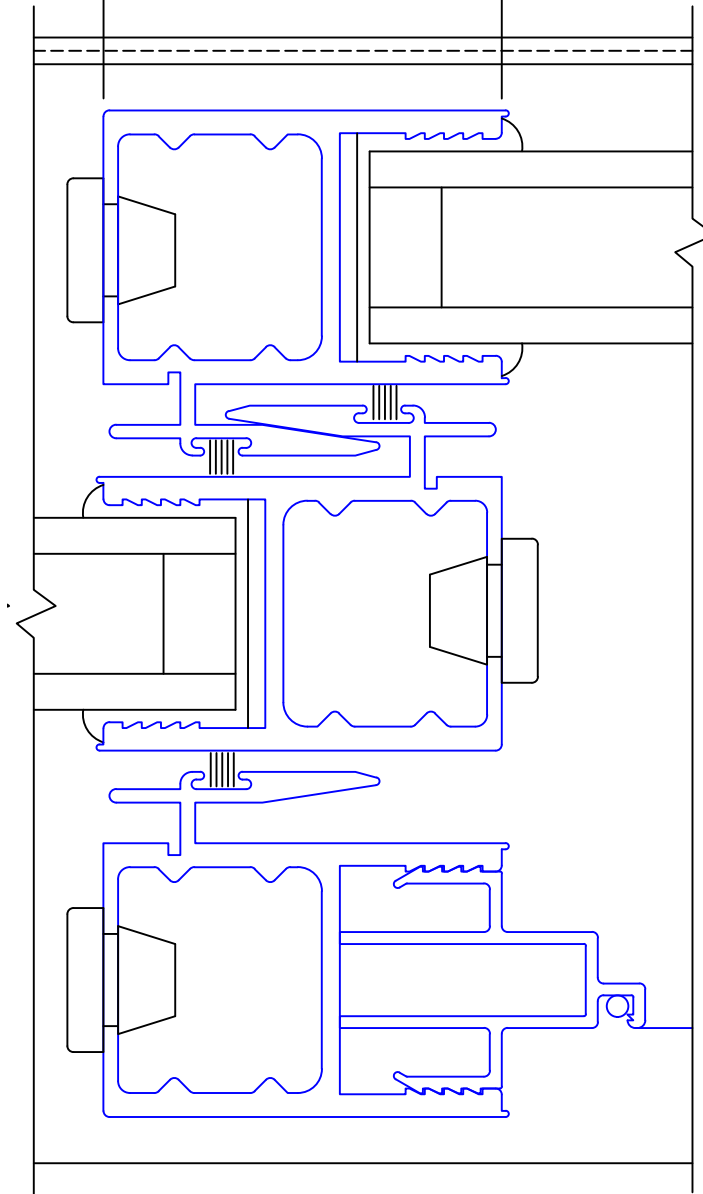
SCALE: FULL

OX DOOR

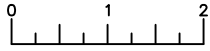
4

INTERLOCKERS

2 ¹/₁₆''



EXTERIOR



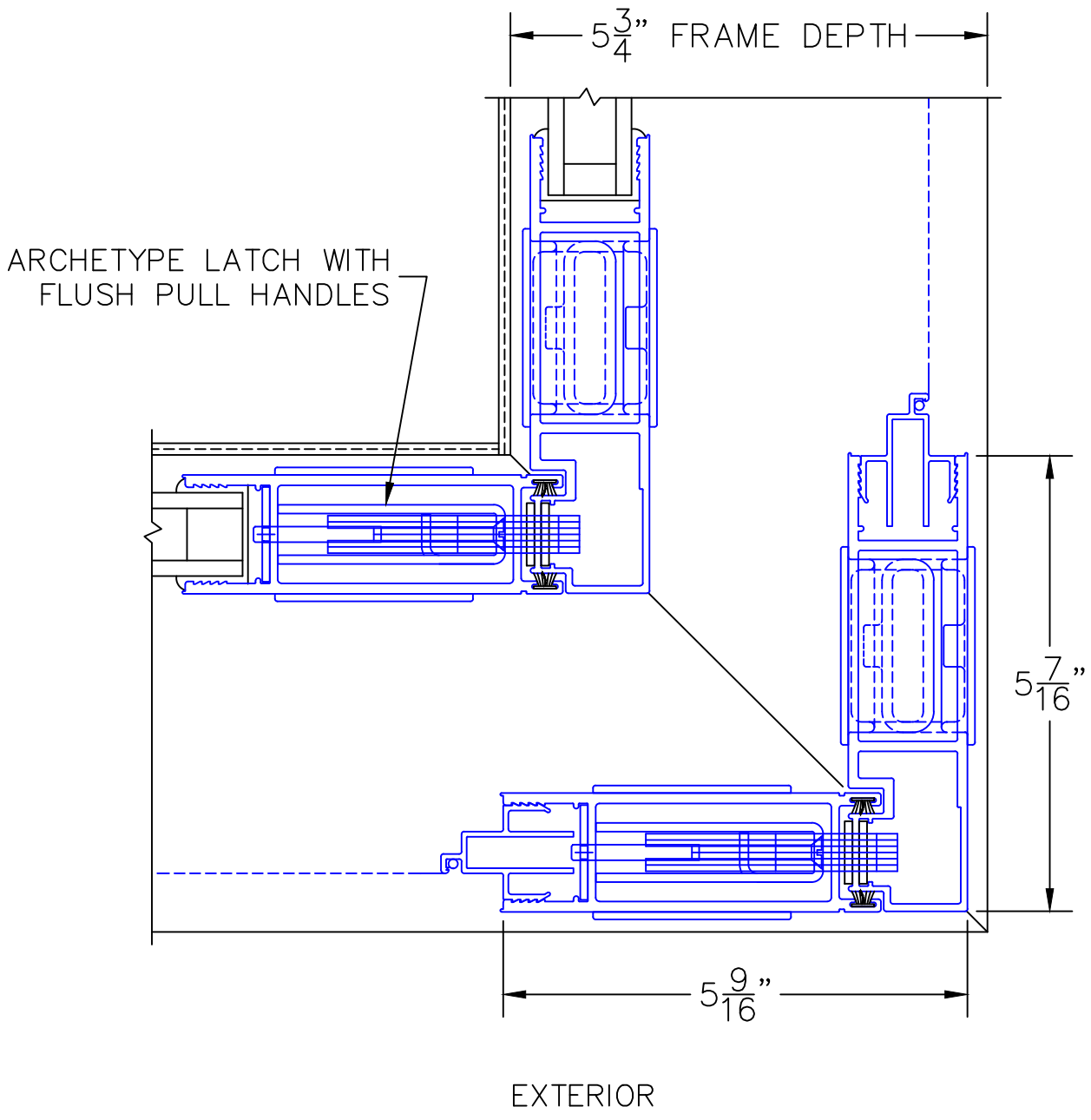
(USE RULER TO SCALE DIMENSIONS IN INCHES)

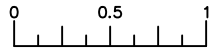
SCALE: 1/2

OXVXO DOOR

5

90° MEETING STILES





(USE RULER TO SCALE DIMENSIONS IN INCHES)

SCALE: FULL

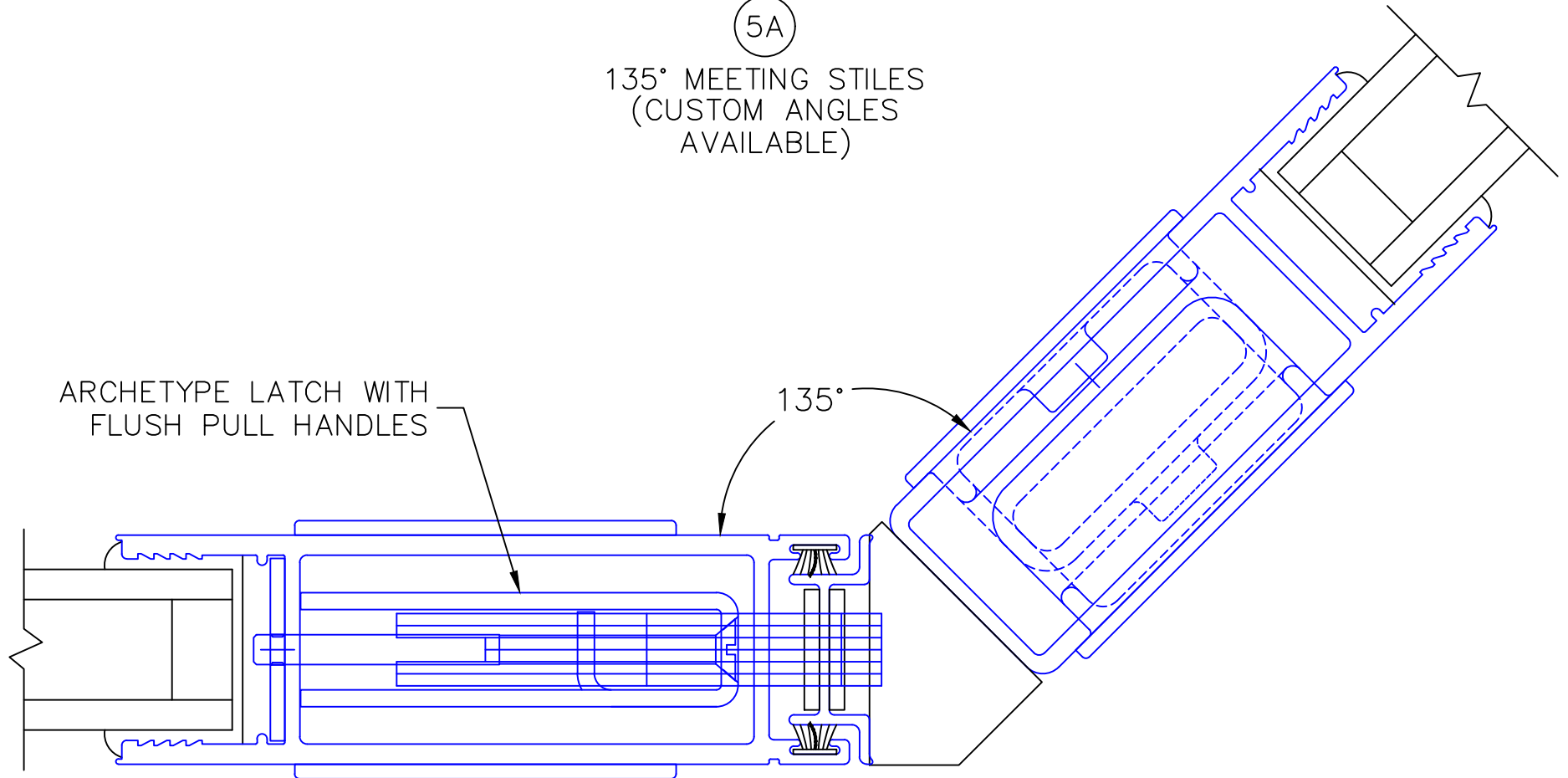
OXVXO DOOR

5A

135° MEETING STILES
(CUSTOM ANGLES
AVAILABLE)

ARCHETYPE LATCH WITH
FLUSH PULL HANDLES

135°



EXTERIOR