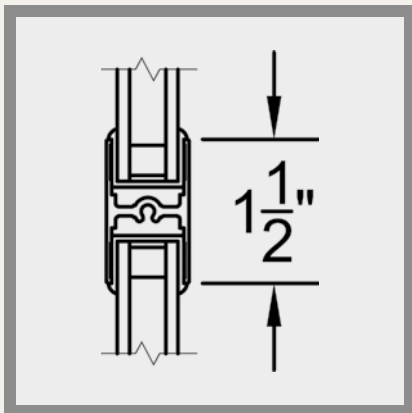


HORIZONTAL SLIDER & SINGLE HUNG



CCS Architecture
Photography: Melissa Werner

| TYPICAL CONFIGURATIONS | BEST SHGC | BEST U-VALUE |
|--|-----------|--------------|
| <ul style="list-style-type: none"> • XO, OX, XOX, SH. • Maximum Panel Width: Horizontal Slider: 66"; Single Hung: 52". • Maximum Panel Height: Horizontal Slider: 72"; Single Hung: 78". • Partner Products: Westwood 250 Glazed to Frame. | 0.18 | 0.5 |



Optional Dividing Bar:

In some instances, the glass needs to be divided and provide either a vertical or horizontal sightline. The Westwood offers an attractive shape to accomplish this desire and we call it a "muntin bar" (offered in most products). This extrusion is available in either 1/4" single glazing or 5/8" dual glazing.

Strike Plate:

The stainless steel strike plate is an important partner to the Westwood latch (see Designer Latch, page 27). It takes up very little space in the view-line but is secure. Other windows fatten the centerline and add a groove or strike.

Ball Bearing Rollers:

Most windows in this class utilize flimsy rollers. The Westwood, however, comes standard with a 3/4" diameter nylon wheel with ball bearings. This little difference equates to years of smooth operation.