

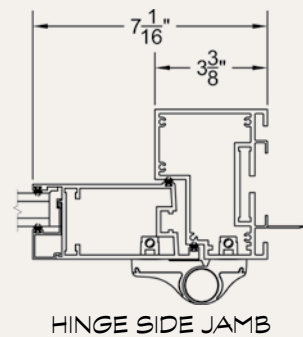
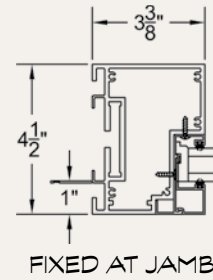
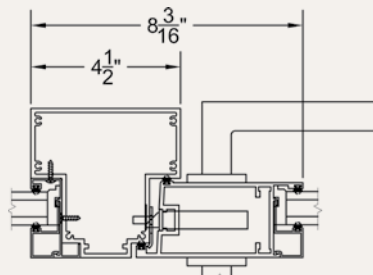
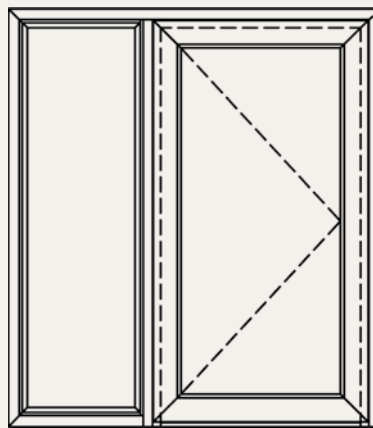
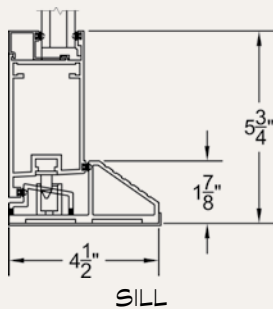
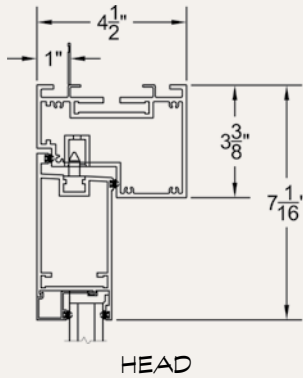
# PACIFIC 3500 LUXURY HOME HINGED DOOR



Pinnacle Architecture (Las Vegas, NV)

TYPICAL CONFIGURATIONS	← MAX PANEL WIDTH	↑ MAX PANEL HEIGHT	☀ BEST SHGC	⚙ BEST U-VALUE
• H, HH, OHO, OHHO, HOOH.	66"	132"	0.13	0.66

ELEVATION VIEW:  
OH CONFIGURATION





## DESIGN NOTES

- Performance tested front door.
- Sizes up to 11' tall.



### Multi-Point Locking Hardware:

The Pacific 3500 is without question the best in class. One of the reasons for this distinction is the stainless steel locking hardware, which has 5 different latches that work in unison and plunge into stainless steel keepers for exceptional security.



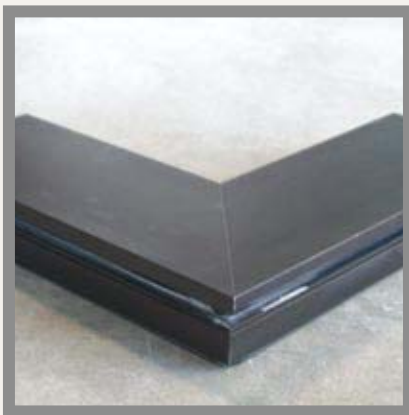
### Hinges:

The standard four hinges on the Pacific can hold as much as 360 lbs. of hang weight. Additionally, these same hinges have three points of adjustment to compensate for natural settling of the building. Another feature is the ease of panel removal from the main frame, which allows the glass panel to be removed until construction is completed.



### Threshold Choices:

The standard threshold is 1-7/8" for optimum water and air performance. We offer two optional thresholds: a 1/2" flush sill (shown above) and one for high rise applications or extreme weather needs.



### Corner Integrity:

If a hinged door corner fails, the entire door falls apart. The Pacific 3500 was engineered around this reality and therefore utilizes the strongest corner construction available. Each corner is bolstered with a large extruded corner key that is keyed and welded into each side.

For budget driven jobs, Fleetwood offers entry level products. See page 34 for more information.